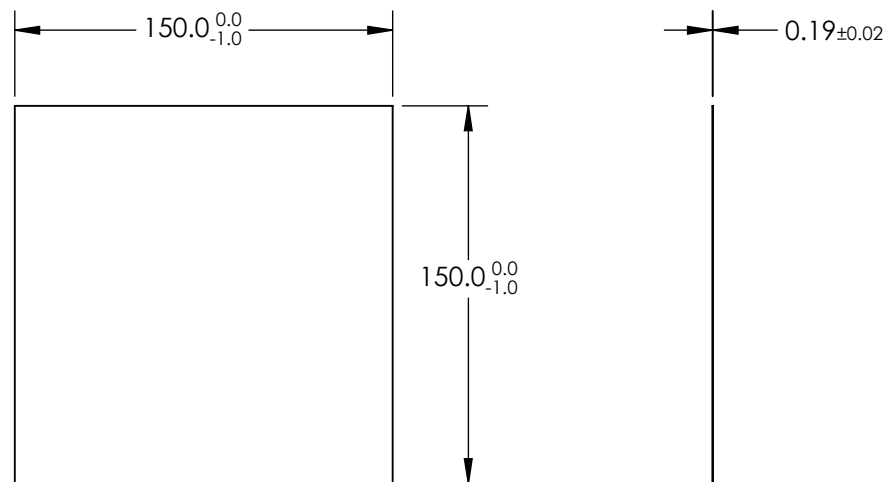
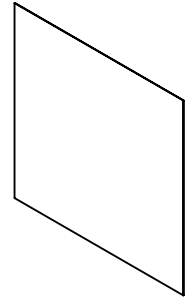


NOTES:

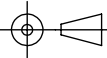
1. SUBSTRATE: Polymer Film XP40HT-18
2. WAVELENGTH RANGE: 400 - 700 nm
3. POLARIZATION EFFICIENCY (%): >99.5
4. TRANSMISSION (%):
 SINGLE: 40 ±2
 PARALLEL: 32.2
 CROSSED: <0.005
5. EXTINCTION RATIO: 5000:1
6. TEMPERATURE RESISTANCE (°C x HOURS):
 HEAT: 100 x 1,000
 COLD: -40 x 1,000
 HUMIDITY: 80 x 90% RH x 1,000
7. ROHS COMPLIANT



**FOR INFORMATION ONLY:
DO NOT MANUFACTURE
PARTS TO THIS DRAWING**

SPECIFICATIONS SUBJECT TO CHANGE WITHOUT NOTICE
DIMENSIONS ARE FOR REFERENCE ONLY

EO® Edmund Optics®

THIRD ANGLE PROJECTION 		TITLE	150 x 150mm High-Temperature Linear Polarizing Film (XP40HT-18)	
ALL DIMS IN	mm	DWG NO	29459	SHEET 19 OF 50