

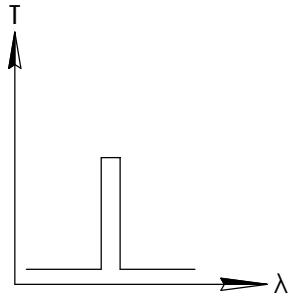
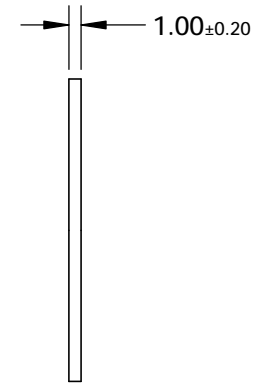
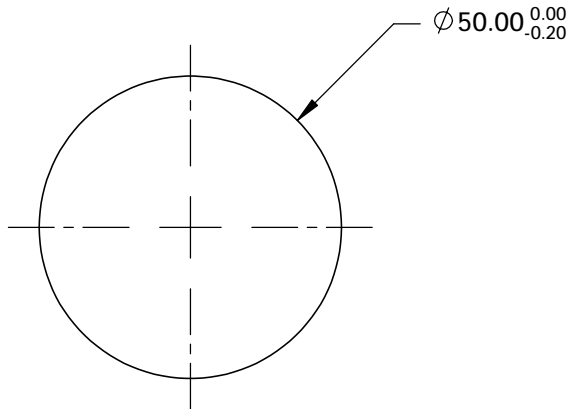
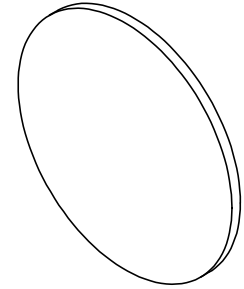
NOTES:

1 SUBSTRATE: SILICON (SI)

RoHS: COMPLIANT

2

**FOR INFORMATION ONLY:
DO NOT MANUFACTURE
PARTS TO THIS DRAWING**



BANDPASS FILTER

SPECIFICATIONS SUBJECT TO CHANGE WITHOUT NOTICE
DIMENSIONS ARE FOR REFERENCE ONLY

	VALUE
SHAPE	PLANO
SURFACE QUALITY	60-40
CENTER WAVELENGTH (μm)	4.00
FULL WIDTH HALF MAX (FWHM) (μm)	2±0.20
MIN TRANSMISSION (%)	80
CLEAR APERTURE	Ø45.00
BEVEL	PROTECTED AS NEEDED



THIRD ANGLE PROJECTION		TITLE	4.00μm CWL, 50.0mm DIA., 2.0 FWHM, IR BANDPASS FILTER
ALL DIMS IN	mm	DWG NO	26570
			SHEET 1 OF 1