

NOTES:

1. SUBSTRATE:  
FUSED SILICA

2. COATING (APPLY ACROSS CLEAR APERTURE)

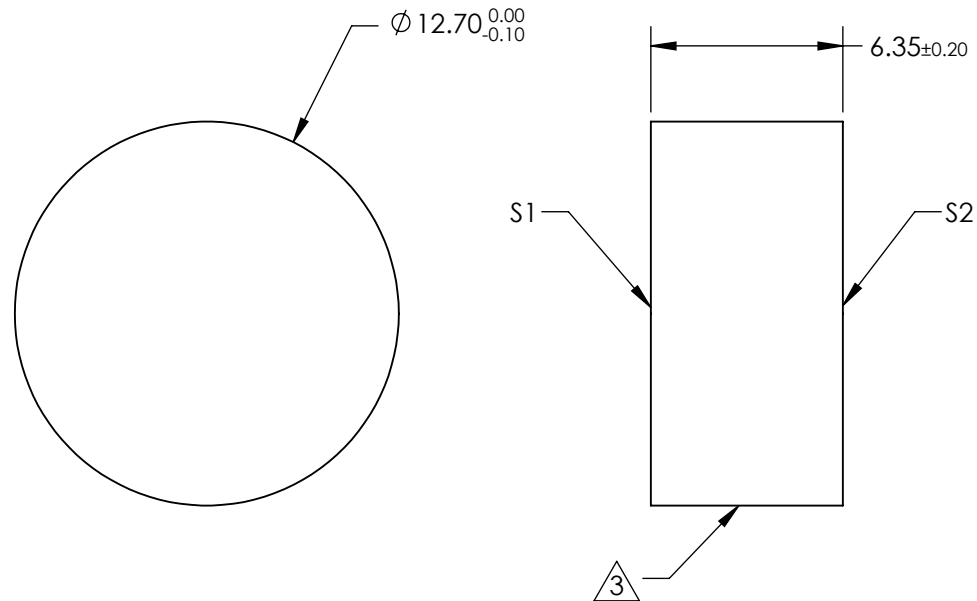
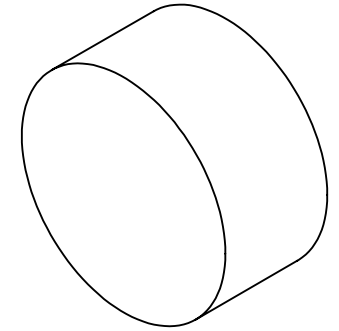
S1: Ultrafast (750-850nm)  
R(AVG) S&P > 99.90% @ 800nm  
R(AVG) > 99.7% @ 750 - 850nm

GDD SPECIFICATION:  $\pm 20 \text{ fs}^2$  @ 750 - 850nm @ 45° AOI

S2: NONE

 FINE GRIND SURFACE

4. ROHS COMPLIANT



**FOR INFORMATION ONLY:  
DO NOT MANUFACTURE  
PARTS TO THIS DRAWING**

SPECIFICATIONS SUBJECT TO CHANGE WITHOUT NOTICE  
DIMENSIONS ARE FOR REFERENCE ONLY

	S1	S2
SHAPE	PLANO	PLANO
SURFACE QUALITY	10 - 5	COMMERCIAL POLISH
CLEAR APERTURE	$\phi 11.43$	N/A
SURFACE FLATNESS	$\lambda/8$	N/A
BEVEL	PROTECTED AS NEEDED	PROTECTED AS NEEDED

THIRD ANGLE PROJECTION 

ALL DIMS IN

mm

 **Edmund Optics®**

TITLE

Low-GDD Ultrafast Dielectric Mirror, 800nm,  
45° AOI, 12.7mm Dia., 6.35mm Thick

DWG NO

26829

SHEET  
7 OF 24