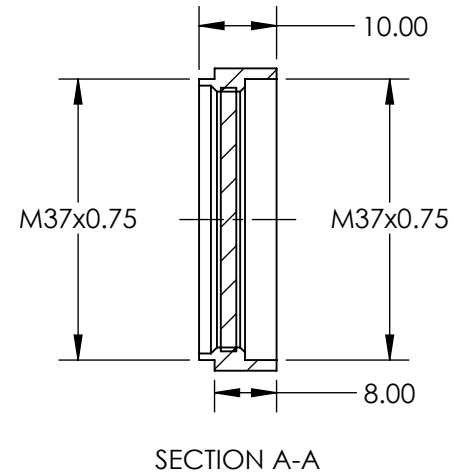
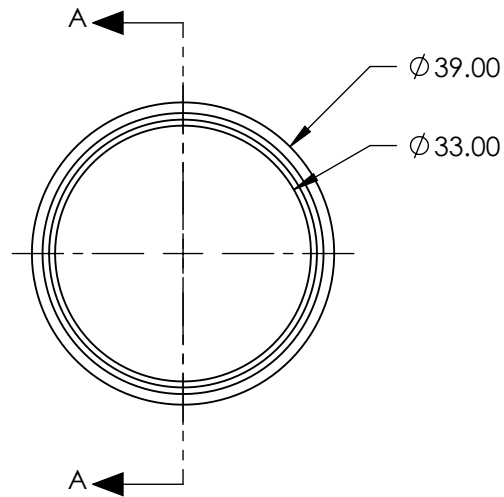
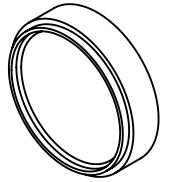


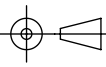
**FOR INFORMATION ONLY:
DO NOT MANUFACTURE
PARTS TO THIS DRAWING**



SPECIFICATIONS SUBJECT TO CHANGE WITHOUT NOTICE
DIMENSIONS ARE FOR REFERENCE ONLY



| REV. A | VALUE |
|-------------------------|-----------------------------|
| POLARIZATION EFFICIENCY | 95% |
| TRANSMISSION | SINGLE: 30%; CROSSED: 0.15% |

THIRD ANGLE PROJECTION 

ALL DIMS IN mm

| TITLE | M37 x 0.75 MOUNTED LINEAR GLASS POLARIZING FILTER | | |
|--------|---|--------------|--|
| DWG NO | 22784 | SHEET 1 OF 1 | |