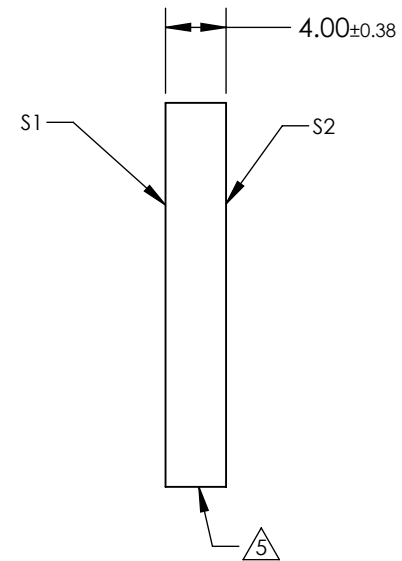
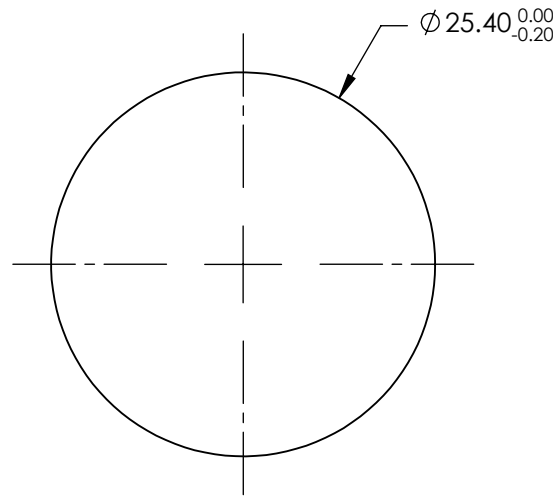
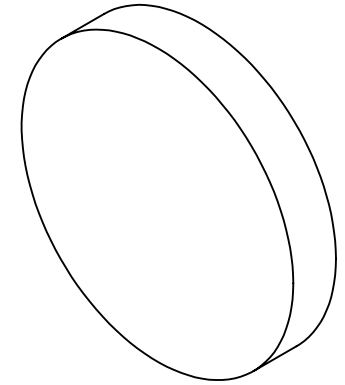


NOTES:

1. SUBSTRATE: Fused Silica (Corning 7980)
2. RoHS COMPLIANT
3. SURFACE S2 TO BE PARALLEL WITH SURFACE S 1 TO WITHIN ACRMINS
4. Coating (Apply Across Clear Aperture):  
S1 & S2: Ravg ≤0.4% @ 425 - 675nm

5. FINE GROUND SURFACE



**FOR INFORMATION ONLY:  
DO NOT MANUFACTURE  
PARTS TO THIS DRAWING**

SPECIFICATIONS SUBJECT TO CHANGE WITHOUT NOTICE  
DIMENSIONS ARE FOR REFERENCE ONLY

	S1	S2
Shape	Plano	Plano
Surface Accuracy	1λ	1λ
Surface Quality	60-40	60-40
Clear Aperture	22.86	22.86
Bevel	Protected as Needed	Protected as Needed



ALL DIMS IN mm

**EO**® Edmund Optics®

TITLE

25.4mm Dia. 4mm Thick VIS 0° Coated, 1λ  
Fused Silica Window

DWG NO

25278

SHEET  
35 OF 101