

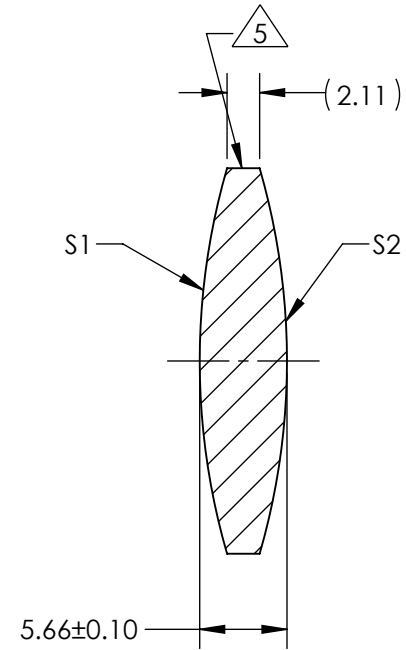
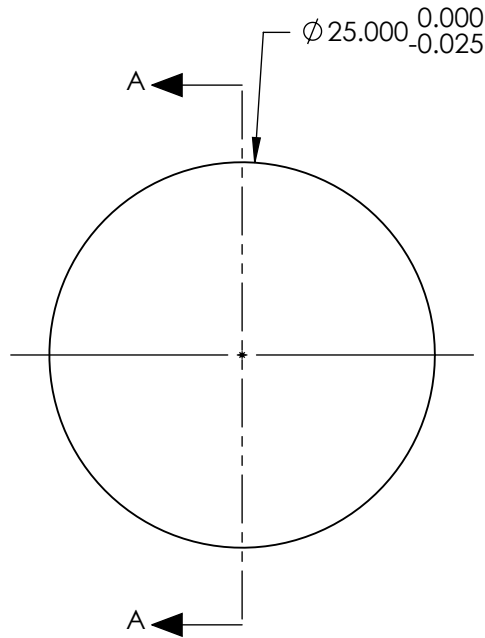
NOTES:

1. SUBSTRATE:
Fused Silica 458/678
2. ROHS COMPLIANT
3. CENTERING TOLERANCE (AT 587.6nm):
BEAM DEVIATION (HALF ANGLE): <1 ARCMIN
4. COATING (APPLY ACROSS COATING APERTURE)

S1 & S2: NIR II
 R(ABS) ≤ 1.5% FROM 750-800nm @ 0° AOI
 R(ABS) ≤ 1.0% FROM 800-1550nm @ 0° AOI
 R(AVG) ≤ 0.7% FROM 750-1550nm @ 0° AOI

 FINE GRIND SURFACE

6. POWER, IRREGULARITY, AND SURFACE QUALITY SPECIFICATIONS APPLY ACROSS CLEAR APERTURE
7. FOCAL LENGTH (EFL): 50.00mm±1%
BACK FOCAL LENGTH (BFL): 48.02mm
8. PROTECTIVE BEVEL AS NEEDED
9. DESIGN WAVELENGTH: 587.6nm



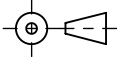
SECTION A-A

**FOR INFORMATION ONLY:
DO NOT MANUFACTURE
PARTS TO THIS DRAWING**

	S1	S2
SHAPE	CONVEX	CONVEX
RADIUS	44.94	44.94
SURFACE QUALITY	40 - 20	40 - 20
MIN CLEAR APERTURE	∅24.00	∅24.00
MIN COATING APERTURE	N/A	N/A
POWER AT 632.8nm	3.00 RINGS	3.00 RINGS
IRREGULARITY AT 632.8nm	0.50 RINGS	0.50 RINGS

SPECIFICATIONS SUBJECT TO CHANGE WITHOUT NOTICE
 DIMENSIONS ARE FOR REFERENCE ONLY

 **Edmund Optics®**

THIRD ANGLE PROJECTION 

ALL DIMS IN mm

TITLE	25mm Dia x 50mm FL, NIR II Coated, Double-Convex Lens	
DWG NO	22193	SHEET 1 OF 1