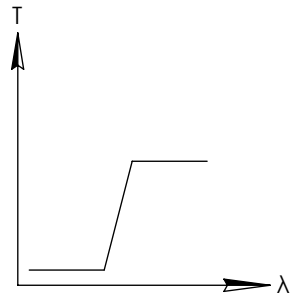
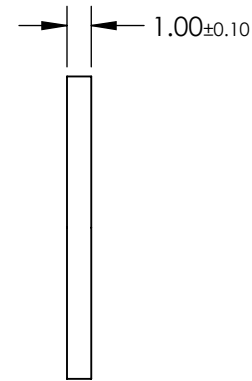
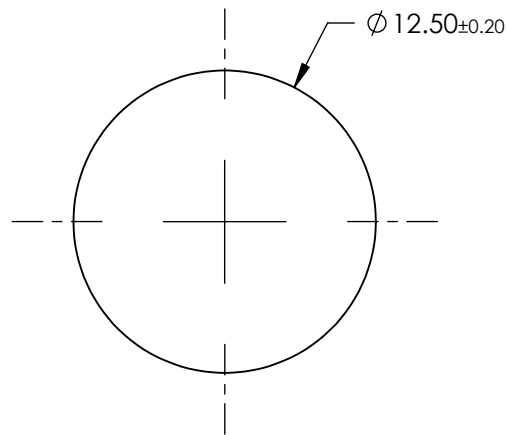
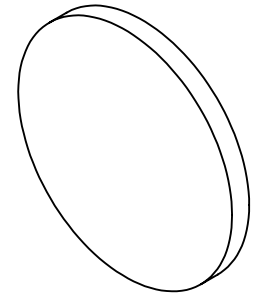


NOTES:

- SUBSTRATE: Hoya R70



LONGPASS FILTER

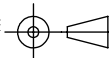
**FOR INFORMATION ONLY:  
DO NOT MANUFACTURE  
PARTS TO THIS DRAWING**

SPECIFICATIONS SUBJECT TO CHANGE WITHOUT NOTICE  
DIMENSIONS ARE FOR REFERENCE ONLY

	VALUE
SHAPE	PLANO
$\Delta\lambda$	<45
TH (%)	>85
CUT-ON WAVELENGTH (nm)	700 $\pm$ 10
SURFACE QUALITY	60-40
WAVELENGTH	IR
BEVEL	PROTECTIVE AS NEEDED

**EO**<sup>®</sup> Edmund Optics<sup>®</sup>

THIRD ANGLE  
PROJECTION



TITLE

Hoya R70 (700nm), 12.5mm Dia., 1mm Thick,  
Colored Glass Longpass Filter

ALL DIMS IN

mm

DWG NO

18887

SHEET  
1 OF 1