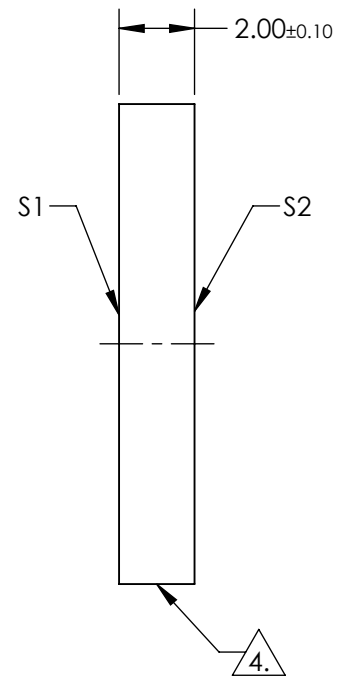
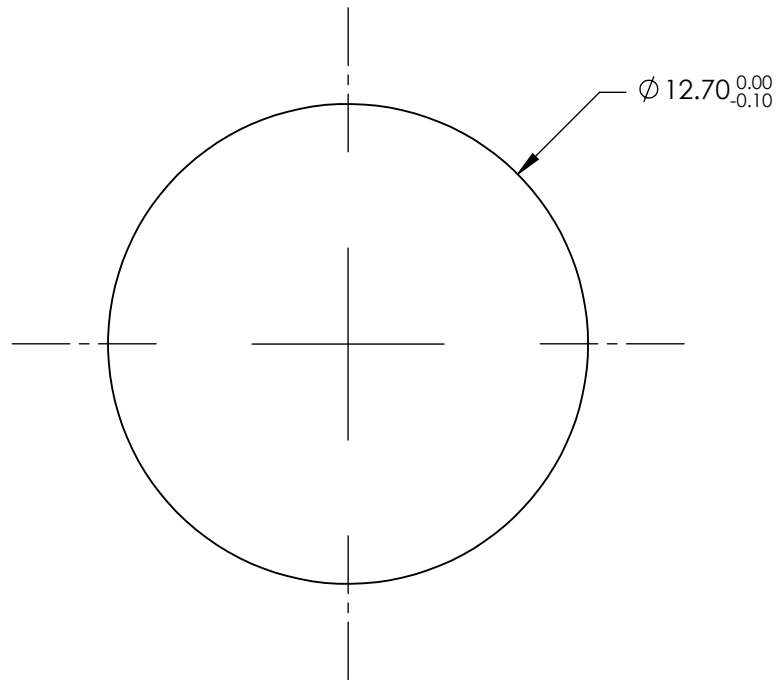


NOTES:

1. SUBSTRATE: CALCIUM FLUORIDE (CAF₂) VACUUM UV GRADE
2. SURFACE S1 TO BE PARALLEL WITH SURFACE S2 TO <1 ARCMIN
3. COATING (APPLY ACROSS CLEAR APERTURE)

S1 & S2: NONE

4. FINE GRIND SURFACE



**FOR INFORMATION ONLY:
DO NOT MANUFACTURE
PARTS TO THIS DRAWING**

SPECIFICATIONS SUBJECT TO CHANGE WITHOUT NOTICE
DIMENSIONS ARE FOR REFERENCE ONLY

	S1	S2
SHAPE	PLANO	PLANO
SURFACE FLATNESS	$\lambda/2$	$\lambda/2$
SURFACE QUALITY	40-20	40-20
CLEAR APERTURE	$\varnothing 11.43$	$\varnothing 11.43$
BEVEL	PROTECTED AS NEEDED	PROTECTED AS NEEDED



ALL DIMS IN mm

EO® **Edmund Optics**®

TITLE 12.7mm Diameter Uncoated, Calcium Fluoride Window

DWG NO 17600 SHEET 1 OF 1