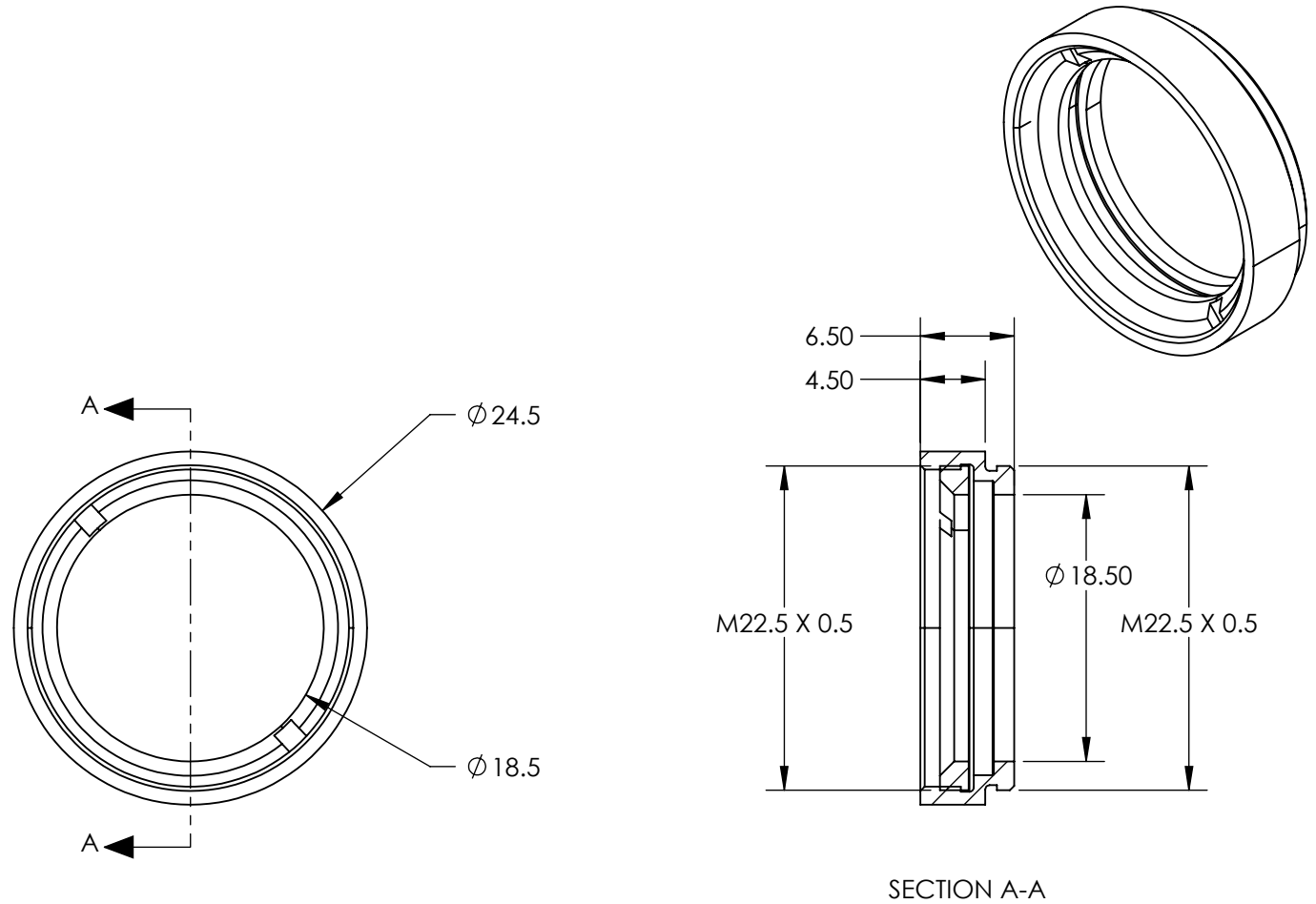


NOTES:

1. ROHS COMPLIANT

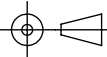


**FOR INFORMATION ONLY:
DO NOT MANUFACTURE
PARTS TO THIS DRAWING**

SPECIFICATIONS SUBJECT TO CHANGE WITHOUT NOTICE
DIMENSIONS ARE FOR REFERENCE ONLY

EO® **Edmund Optics**®

	VALUE
THICKNESS OF COMPATIBLE OPTICS	1.75mm (NOMINAL)
DIAMETER OF COMPATIBLE OPTICS	20.1mm (NOMINAL)

THIRD ANGLE PROJECTION 	TITLE	M22.5 x 0.50 Empty Filter Mount for 20.1mm Dia. Optics	
ALL DIMS IN mm	DWG NO	17053	SHEET 1 OF 1