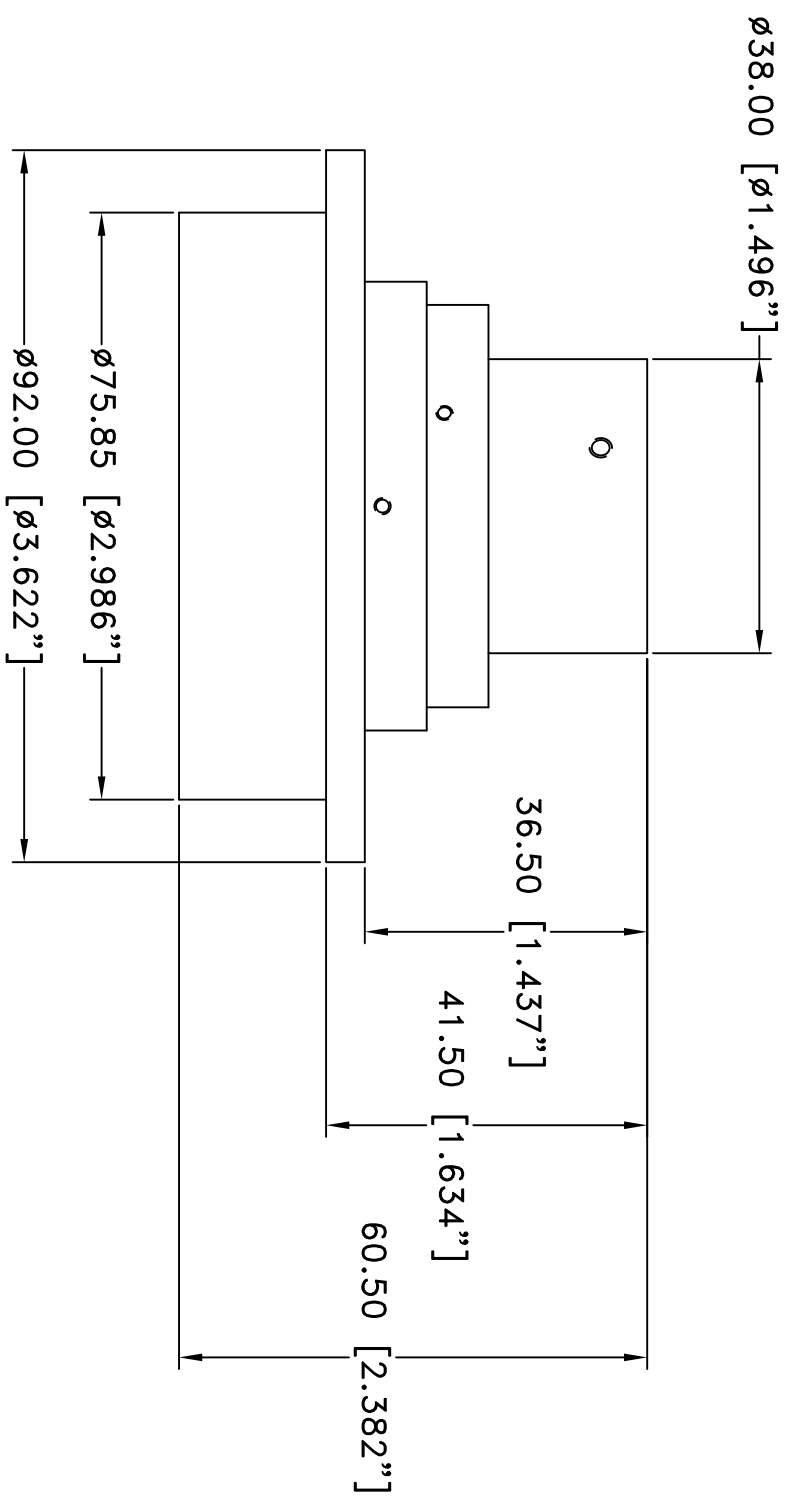


This drawing is for informational purposes only. No other rights or privileges are granted or implied.

REVISIONS				
ZONE	REV	DESCRIPTION	DATE	APPROVED



ALL DIM ARE mm [inches] AND ARE FOR REFERENCE ONLY AND ARE SUBJECT TO CHANGE.

Date: 09/28/20 MB

Modified:

**INFINITY** Photo-Optical Company  
[www.infinity-usa.com](http://www.infinity-usa.com)  
 UNIVERSAL ADAPTER FOR UNIFITRON,  
 STEREOMICROSCOPE STANDS Ø75.75mm

SIZE	FSCM NO.	DWG NO.	REV
A			-
SCALE	NONE	-	SHEET 1 OF 1