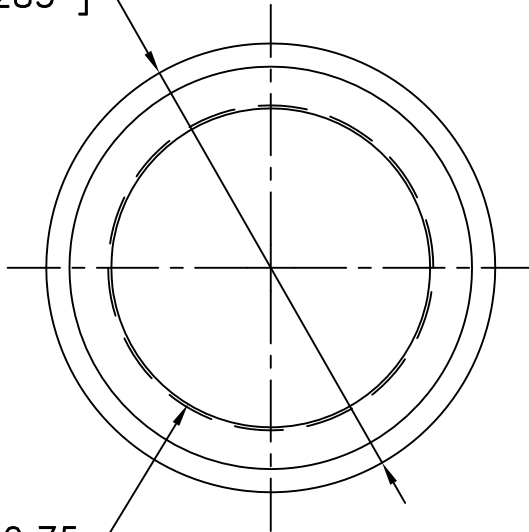




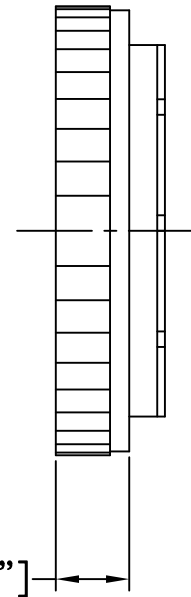
This drawing is for informational purposes only.
 No other rights or privileges are granted or implied.

REVISIONS				
ZONE	REV	DESCRIPTION	DATE	APPROVED

ø58.00 [ø2.283"]



M42 x 0.75



9.50 [.374"]

NOTES:

1. SURFACE ANODIZED BLACK.
2. MATL.: ALUMINUM

ALL DIM ARE mm
 [inches] AND ARE FOR
 REFERENCE ONLY AND
 ARE SUBJECT TO
 CHANGE.

 **INFINITY** Photo-Optical Company
www.infinity-usa.com

**T2 ADAPTER
 NIKON F MOUNT**

Date: 06/24/20 MB

SIZE A	FSCM NO.	DWG NO. 770 568	REV -
-----------	----------	---------------------------	----------

Modified:

SCALE NONE	-	SHEET 1 OF 1
----------------------	---	------------------------

