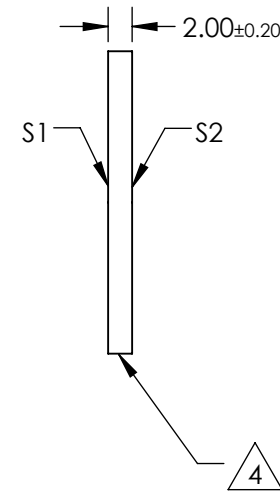
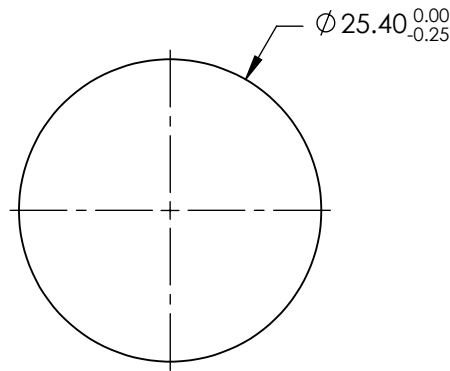
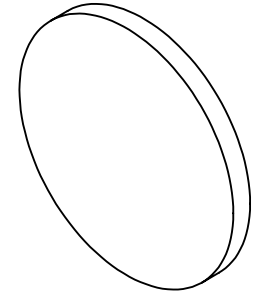


NOTES:

1. SUBSTRATE: N-BK7
2. S2 TO BE PARALLEL WITH S1 TO < 1ARCMIN
3. COATING (APPLY ACROSS CLEAR APERTURE)
S1 & S2: R(AVG) ≤1.75% @ 400 - 700nm

4. FINE GRIND SURFACE

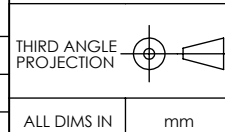
5. RoHS COMPLIANT



**FOR INFORMATION ONLY:
DO NOT MANUFACTURE
PARTS TO THIS DRAWING**

SPECIFICATIONS SUBJECT TO CHANGE WITHOUT NOTICE
DIMENSIONS ARE FOR REFERENCE ONLY

	S1	S2
SHAPE	PLANO	PLANO
SURFACE QUALITY	60-40	60-40
CLEAR APERTURE (mm)	Ø22.86	Ø22.86
BEVEL	PROTECTIVE AS NEEDED	PROTECTIVE AS NEEDED



EO® Edmund Optics®

TITLE	25.4mm DIA., 2mm THICK, MgF2 COATED λ/4 N-BK7 WINDOW	
DWG NO	15428	SHEET 1 OF 1