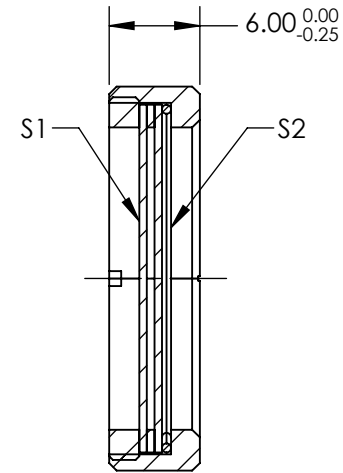
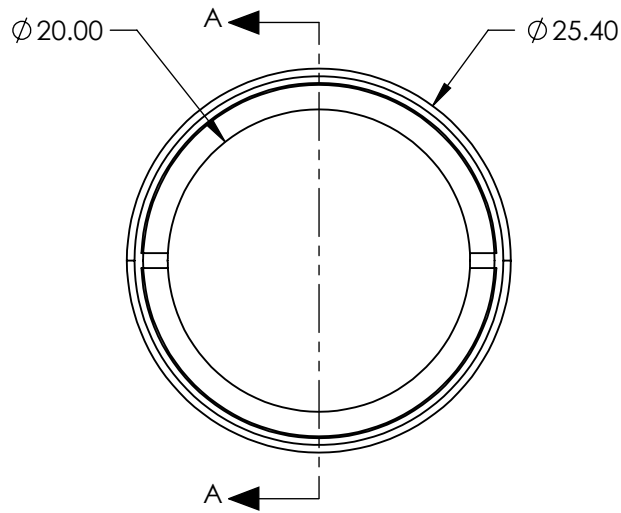


NOTES:

1. SUBSTRATE: CRYSTAL QUARTZ
2. SURFACE S2 TO BE PARALLEL TO SURFACE S1 TO WITHIN < 3 ARCMIN
3. COATING (APPLY ACROSS COATING APERTURE)  
S1 & S2: R(ABS) < 0.2% @ 405nm
4. RETARDANCE:  $\lambda/2 \pm \lambda/300$
5. TRANSMITTED WAVEFRONT:  $\lambda/10$  FOR CENTRAL 80% OF CLEAR APERTURE
6. RoHS: COMPLIANT

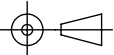


SECTION A-A

**FOR INFORMATION ONLY:  
DO NOT MANUFACTURE  
PARTS TO THIS DRAWING**

SPECIFICATIONS SUBJECT TO CHANGE WITHOUT NOTICE  
DIMENSIONS ARE FOR REFERENCE ONLY

**EO**® Edmund Optics®

	S1	S2	THIRD ANGLE PROJECTION 	TITLE	25.4mm DIA. 405nm $\lambda/2$ QUARTZ WAVEPLATE ZERO ORDER	
CLEAR APERTURE	$\varnothing 20.00$	$\varnothing 20.00$		ALL DIMS IN	mm	DWG NO
SURFACE QUALITY	10-5	10-5				SHEET 1 OF 1