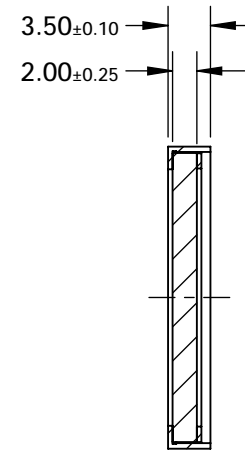
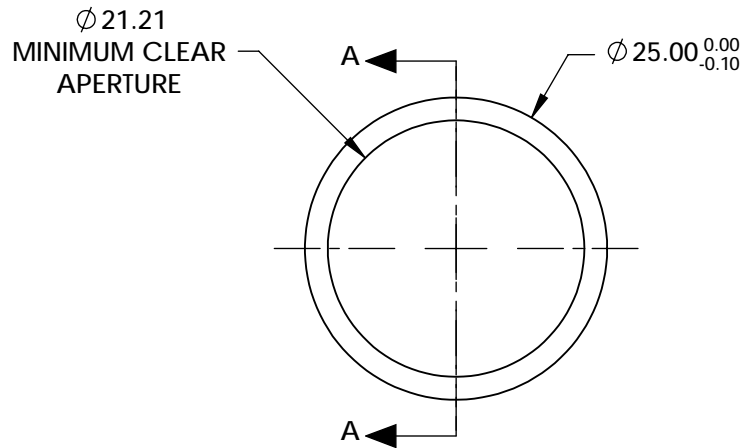


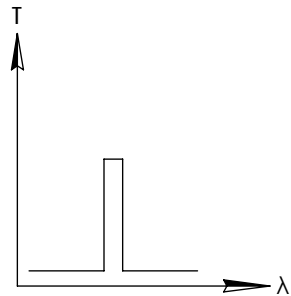
NOTES:

1. SUBSTRATE:
FUSED SILICA MOUNTED IN BLACK ANODIZED ALUMINUM RING
2. TRANSMITTED WAVEFRONT ERROR: $\lambda/4$
3. RoHS: COMPLIANT

**FOR INFORMATION ONLY:
DO NOT MANUFACTURE
PARTS TO THIS DRAWING**



SECTION A-A



BANDPASS FILTER

	VALUE
CENTER WAVELENGTH (CWL) (nm)	387 ± 2
MINIMUM BANDWIDTH (nm)	11
FULL WIDTH HALF MAX (FWHM) (nm)	15
MINIMUM TRANSMISSION (%)	>90
OD6 BLOCKING RANGE (nm)	405 - 700
SURFACE QUALITY	60-40
COATING TYPE	HARD COATED
DURABILITY	MIL-C-48497A, SECT. 3.4.1
ENVIRONMENTAL	MIL-STD-801F, SECT. 507.4

SPECIFICATIONS SUBJECT TO CHANGE WITHOUT NOTICE
DIMENSIONS ARE FOR REFERENCE ONLY

EO® Edmund Optics®



ALL DIMS IN

mm

TITLE

OD6, $\phi 25$ mm, 387nm x 15nm, BP
FLUORESCENCE FILTER

DWG NO

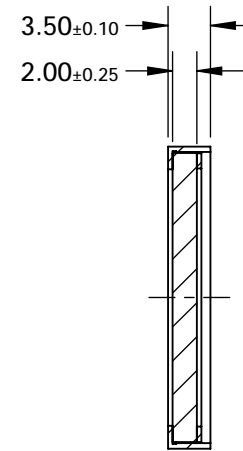
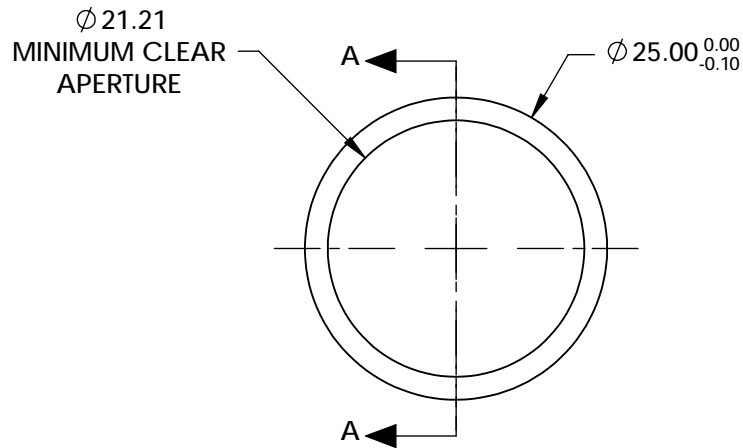
84094

SHEET
1 OF 1

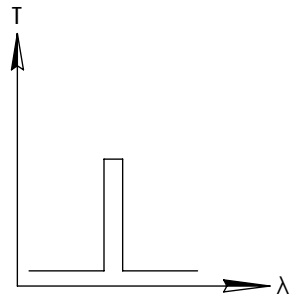
NOTES:

1. SUBSTRATE:
FUSED SILICA MOUNTED IN BLACK ANODIZED ALUMINUM RING
2. TRANSMITTED WAVEFRONT ERROR: $\lambda/4$
3. RoHS: COMPLIANT

**FOR INFORMATION ONLY:
DO NOT MANUFACTURE
PARTS TO THIS DRAWING**



SECTION A-A



BANDPASS FILTER

	VALUE
CENTER WAVELENGTH (CWL) (nm)	447 ± 2
MINIMUM BANDWIDTH (nm)	60
FULL WIDTH HALF MAX (FWHM) (nm)	65
MINIMUM TRANSMISSION (%)	>93
OD6 BLOCKING RANGE (nm)	490 - 800
SURFACE QUALITY	60-40
COATING TYPE	HARD COATED
DURABILITY	MIL-C-48497A, SECT. 3.4.1
ENVIRONMENTAL	MIL-STD-801F, SECT. 507.4

SPECIFICATIONS SUBJECT TO CHANGE WITHOUT NOTICE
DIMENSIONS ARE FOR REFERENCE ONLY

EO® Edmund Optics®

THIRD ANGLE
PROJECTION

TITLE

OD6, $\phi 25$ mm, 447nm x 65nm, BP
FLUORESCENCE FILTER

ALL DIMS IN

mm

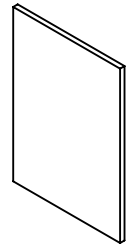
DWG NO

84095

SHEET
1 OF 1

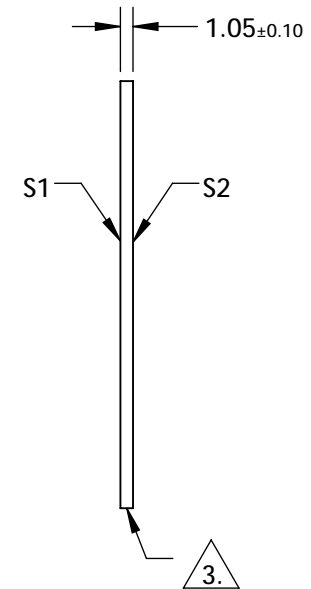
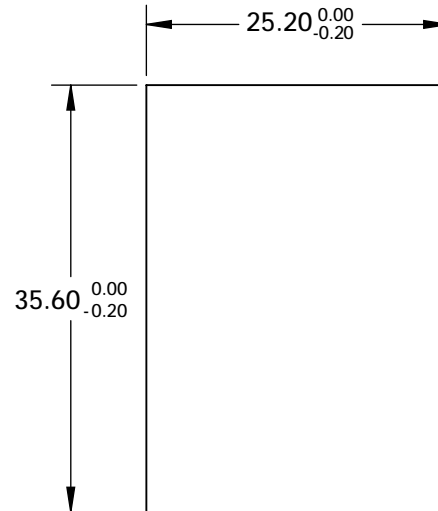
NOTES:

1. SUBSTRATE
UV GRADE FUSED SILICA
2. COATING (APPLY ACROSS CLEAR APERTURE)
HARD COATED
PERFORMANCE SPECS:
T(AVG) = 90% FROM 415 - 850nm @ 45 ° AOI
R(AVG) = 98% FROM 325 - 404nm @ 45 ° AOI
T(ABS) = 50% @ 409nm @ 45 ° AOI



3. FINE GRIND SURFACE

4. SURFACE QUALITY SPECIFICATIONS APPLY ACROSS CLEAR APERTURE
5. TRANSMITTED WAVEFRONT DISTORTION RMS @ 632.8nm $\leq 1\lambda$
6. ROHS COMPLIANT

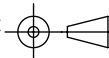


**FOR INFORMATION ONLY:
DO NOT MANUFACTURE
PARTS TO THIS DRAWING**

SPECIFICATIONS SUBJECT TO CHANGE WITHOUT NOTICE
DIMENSIONS ARE FOR REFERENCE ONLY

	S1	S2
SHAPE	PLANO	PLANO
SURFACE QUALITY	60-40	60-40
CLEAR APERTURE	22.00 x 32.00	22.00 x 32.00
BEVEL	PROTECTIVE AS NEEDED	PROTECTIVE AS NEEDED

THIRD ANGLE
PROJECTION



ALL DIMS IN

mm

EO® Edmund Optics®

TITLE

409nm, 25.2 X 35.6mm, DICHOIC FILTER

DWG NO

86330

SHEET
1 OF 1