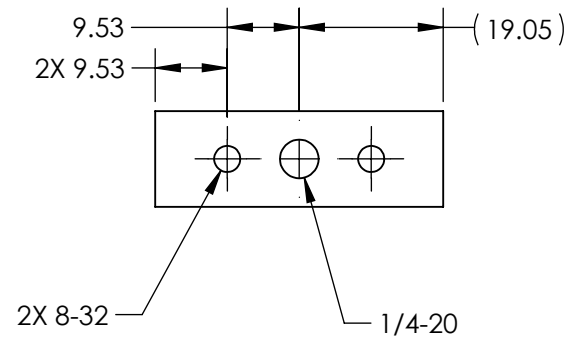
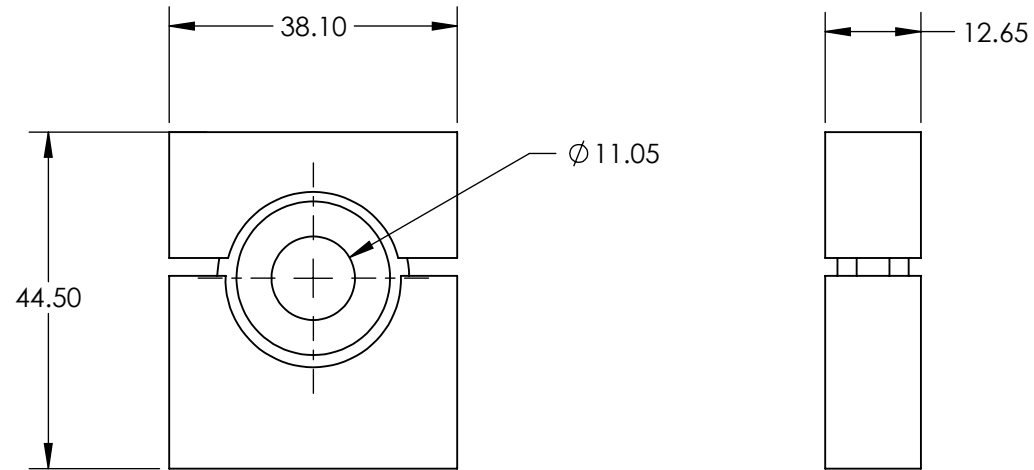
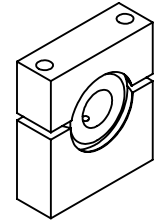


NOTES:

1. COMPATIBLE DIODE MODULES: MINIATURE LDM
2. COARSE ROTATION (°): ±15
3. CONSTRUCTION: BLACK DELRIN (R), CLAMOS, BRASS ALLOY BALL
4. DIAMETER OF COMPATIBLE LASER (mm): 11



SPECIFICATIONS SUBJECT TO CHANGE WITHOUT NOTICE
DIMENSIONS ARE FOR REFERENCE ONLY

**FOR INFORMATION ONLY:
DO NOT MANUFACTURE
PARTS TO THIS DRAWING**

EO® Edmund Optics®

THIRD ANGLE PROJECTION		TITLE	11mm Dia., Laser Diode Mount	
ALL DIMS IN	mm	DWG NO	53262	SHEET 1 OF 1