
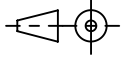
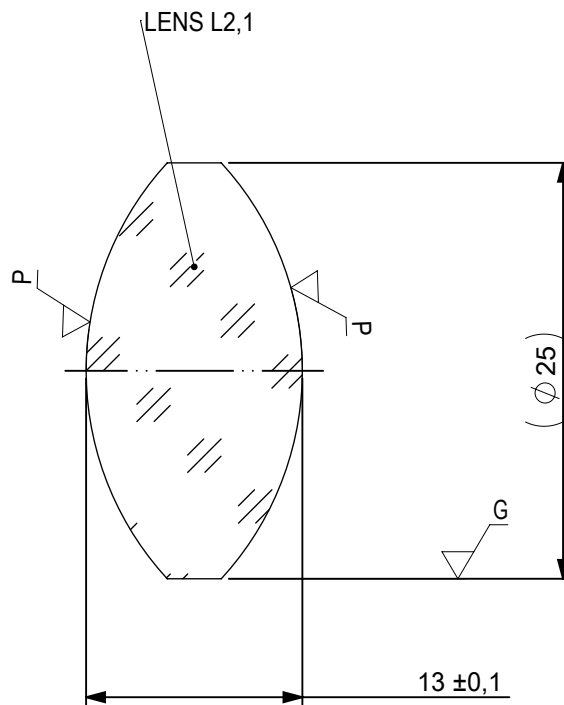



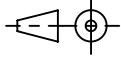
FOCAL LENGTH (EFL):  $50 \pm 0,5$   
 BACK FOCAL LENGTH (BFL):  $40,6$

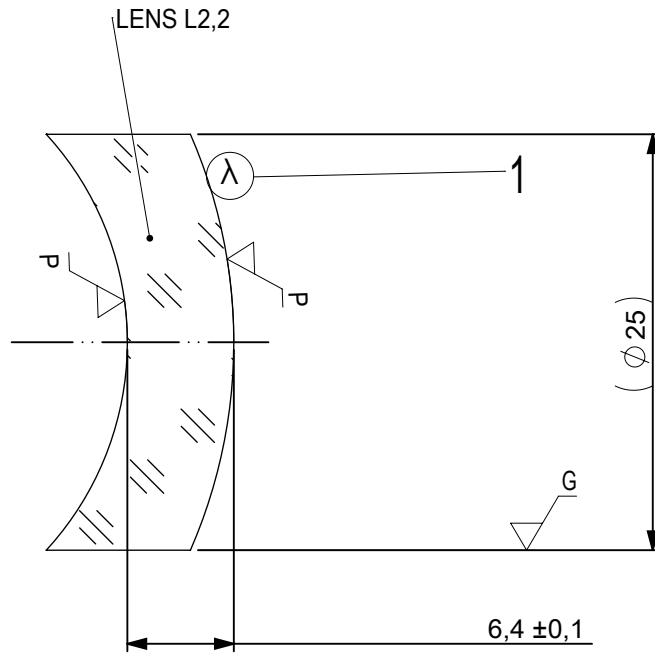
SURFACE A		SURFACE B		SURFACE C		SURFACE D	
$\varnothing e$	24	$\varnothing e$	24	$\varnothing e$	24	$\varnothing e$	24
CEMENT: NOA 61 OR EQUIVALENT				CEMENT: NOA 61 OR EQUIVALENT			

PROTECTIVE CHAMFERS AS NEEDED		FIRST ANGLE PROJECTION					
ROHS: COMPLIANT	SCALE: NONE						$\lambda = 587,6\text{nm}$
SPECIFICATIONS SUBJECT TO CHANGE WITHOUT NOTICE. DIMENSIONS ARE FOR REFERENCE ONLY				TITLE		25 x 50mm EFL Steinheil Triplet Achromatic Lens	
FOR INFORMATION ONLY: DO NOT MANUFACTURE PARTS TO THIS DRAWING				ALL DIMS IN:	mm	DWG NO	67422
INDICATIONS IN ACCORDANCE WITH ISO 10110							SHEET 1 OF 3



LEFT SURFACE	MATERIAL	RIGHT SURFACE
R 18,465±0,018 CX Øe 24 3/ 3 (0,5) λ=632,8 nm 4/ - 5/ 40 - 20 (MIL-PRF-13830B) 6/ -	GLASS N-BK7 800/350	R 18,465±0,018 CX Øe 24 3/ 3 (0,5) λ=632,8 nm 4/ - 5/ 40 - 20 (MIL-PRF-13830B) 6/ -


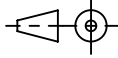
PROTECTIVE CHAMFERS AS NEEDED		FIRST ANGLE PROJECTION	 <b>Edmund Optics®</b>		
ROHS: COMPLIANT	SCALE: NONE λ = 587,6nm				
SPECIFICATIONS SUBJECT TO CHANGE WITHOUT NOTICE. DIMENSIONS ARE FOR REFERENCE ONLY			TITLE	25 x 50mm EFL Steinheil Triplet Achromatic Lens	
FOR INFORMATION ONLY: DO NOT MANUFACTURE PARTS TO THIS DRAWING			ALL DIMS IN: mm	DWG NO	67422
INDICATIONS IN ACCORDANCE WITH ISO 10110					SHEET 2 OF 3



1 AR COATING:

¼ WAVE MgF2 @ 550nm  
 R(AVG) < 1,75% FROM 400-700nm (N-BK7)

LEFT SURFACE	MATERIAL	RIGHT SURFACE
R 18.465±0.018 CV Øe 24 3/ 3 (0,5) λ=632,8 nm 4/ - 5/ 40 - 20 (MIL-PRF-13830B) 6/ -	GLASS N-LASF45 517/642	R 31.25±0.031 CX Øe 24 3/ 3 (0,5) λ=632,8 nm 4/ - 5/ 40 - 20 (MIL-PRF-13830B) 6/ -

PROTECTIVE CHAMFERS AS NEEDED		FIRST ANGLE PROJECTION	 <b>Edmund Optics®</b>			
ROHS: COMPLIANT	SCALE: NONE λ = 587,6nm					
SPECIFICATIONS SUBJECT TO CHANGE WITHOUT NOTICE. DIMENSIONS ARE FOR REFERENCE ONLY			TITLE	25 x 50mm EFL Steinheil Triplet Achromatic Lens		
FOR INFORMATION ONLY: DO NOT MANUFACTURE PARTS TO THIS DRAWING			ALL DIMS IN:	mm	DWG NO	
INDICATIONS IN ACCORDANCE WITH ISO 10110				67422	SHEET SIZE A4	SHEET 3 OF 3