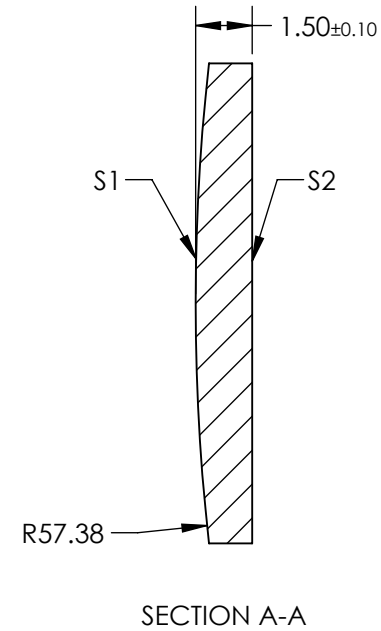
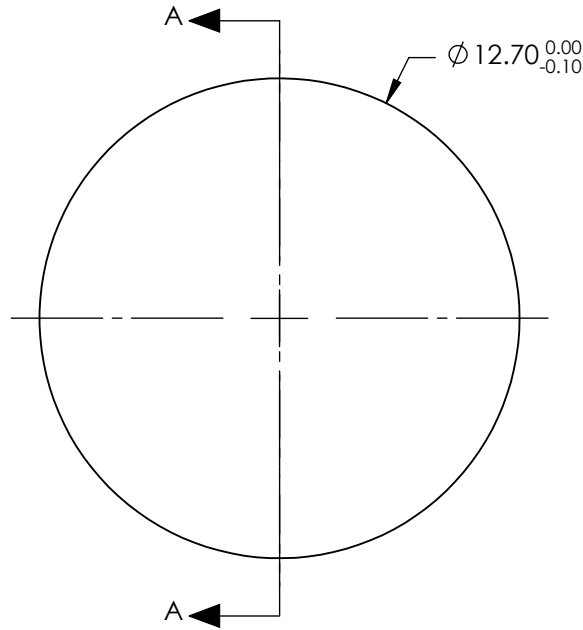


NOTES:


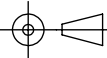
1. SUBSTRATE: IR GRADE FUSED SILICA
2. COATING:  
S1 & S2: R(ABS) <0.1% @ 1900 - 2200nm
3. CENTERING: < 3 ARCMIN
4. RoHS: COMPLIANT

**FOR INFORMATION ONLY:  
DO NOT MANUFACTURE  
PARTS TO THIS DRAWING**



SPECIFICATIONS SUBJECT TO CHANGE WITHOUT NOTICE  
DIMENSIONS ARE FOR REFERENCE ONLY

	S1	S2
SHAPE	CONVEX	PLANO
SURFACE QUALITY	20-10	20-10
CLEAR APERTURE	Ø11.43	Ø11.43
BEVEL	PROTECTIVE AS NEEDED	PROTECTIVE AS NEEDED

EFL: 125.16 mm		 <b>Edmund Optics®</b>	
BFL: 124.13 mm			
THIRD ANGLE PROJECTION 		TITLE	12.7mm Diameter x 125mm FL, 1900-2200nm Coated, IR Ultrafast Thin PCX Lens
ALL DIMS IN	mm	DWG NO	11617
			SHEET 1 OF 1