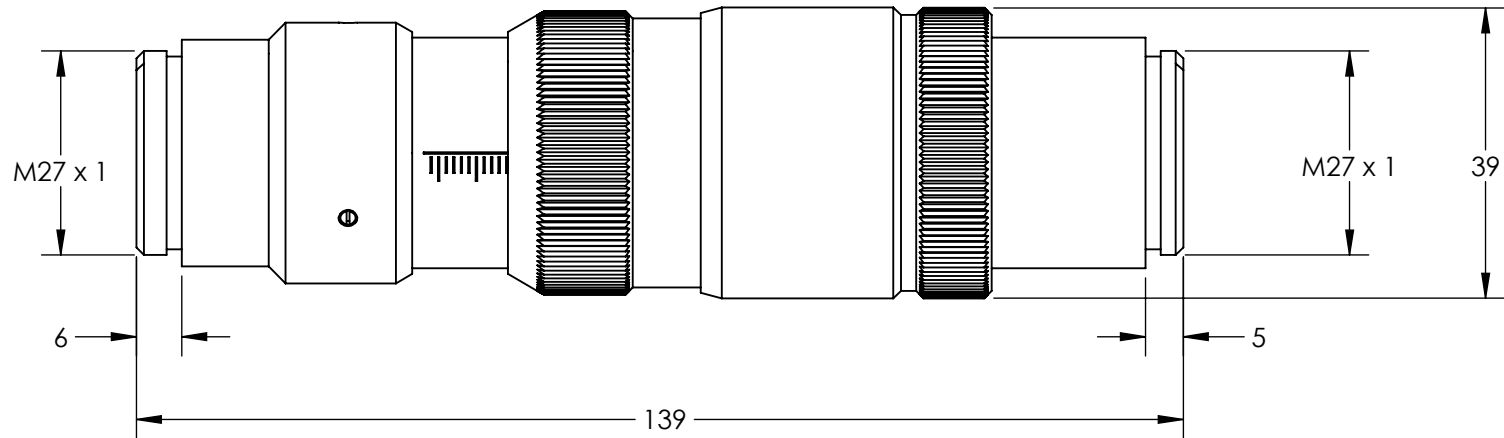
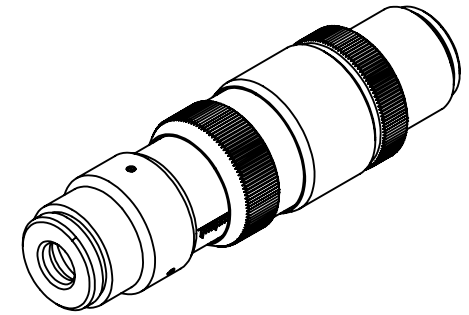


NOTES:

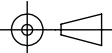
1. RoHS: COMPLIANT

**FOR INFORMATION ONLY:
DO NOT MANUFACTURE
PARTS TO THIS DRAWING**



SPECIFICATIONS SUBJECT TO CHANGE WITHOUT NOTICE
DIMENSIONS ARE FOR REFERENCE ONLY

EO® Edmund Optics®

	VALUE	THIRD ANGLE PROJECTION 		TITLE	NIR Flat Top Beam Shaper πShaper 6_6_NIR	
DESIGN WAVELENGTH DWL (nm)	1319 & 1700	ALL DIMS IN	mm	DWG NO	12691	
INPUT DIAMETER (mm)	6mm (1/e ²)			SHEET		
WAVELENGTH RANGE(nm)	1100 - 1700			1 OF 1		