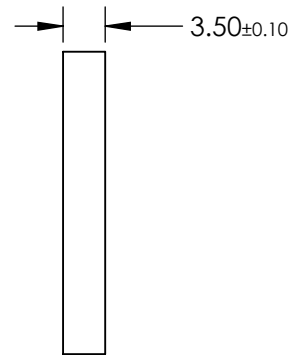
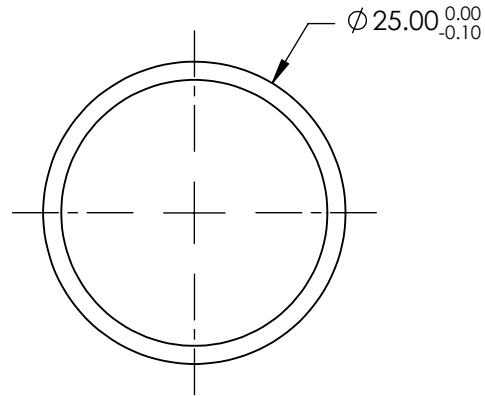
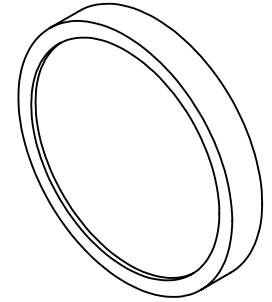


**FOR INFORMATION ONLY:
DO NOT MANUFACTURE
PARTS TO THIS DRAWING**



CENTER WAVELENGTH CWL (nm)	852
BANDWIDTH (nm)	3.2
OPTICAL DENSITY OD	≥ 6.0
TRANSMISSION (%)	> 90
SURFACE QUALITY	60-40
ANGLE OF INCIDENCE (°)	0 ± 2
DURABILITY (ENVIRONMENTAL)	MIL-STD-810F Paragraphs 501.4, 502.4, AND 507.4
DURABILITY (PHYSICAL)	MIL-C-48497A Paragraphs 4.5.3.1, 4.5.3.2, 4.5.3.3, AND 4.5.5.3
OD 5 BLOCKING WAVELENGTH RANGE (nm)	652-843.5 & 860.5-1106.6
OD 6 BLOCKING WAVELENGTH RANGE (nm)	783.8-839.2 & 864.8-937.2
RoHS	COMPLIANT

SPECIFICATIONS SUBJECT TO CHANGE WITHOUT NOTICE
DIMENSIONS ARE FOR REFERENCE ONLY

EO® **Edmund Optics**®



ALL DIMS IN

mm

TITLE

852nm High Performance Laser Line Filter
25mm Dia.

DWG NO

12280

SHEET
1 OF 1