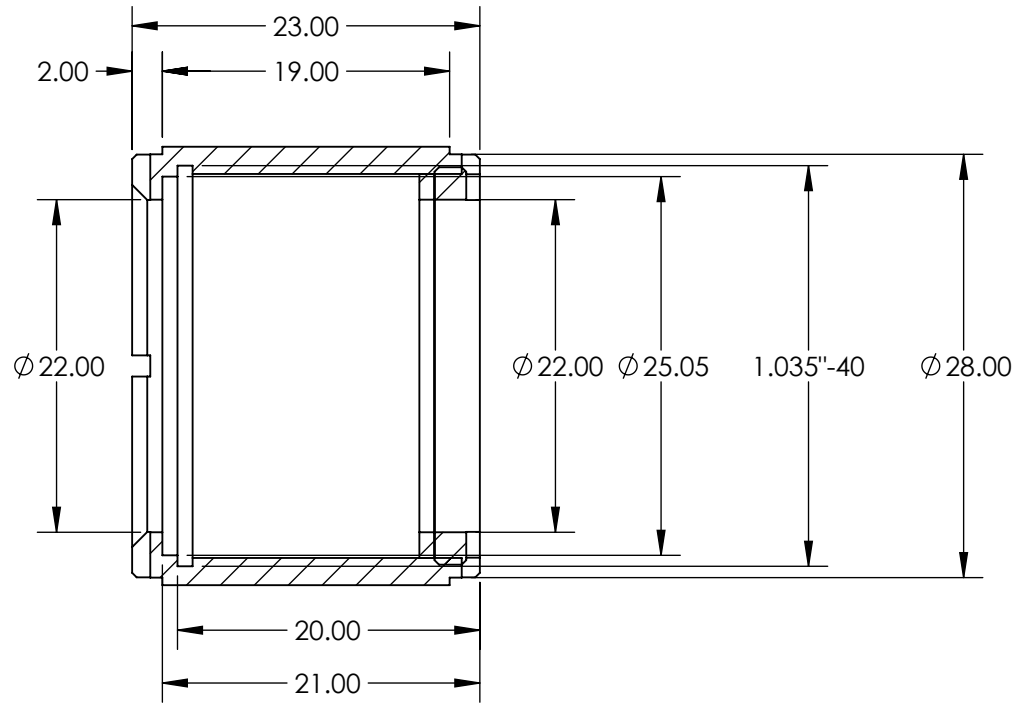
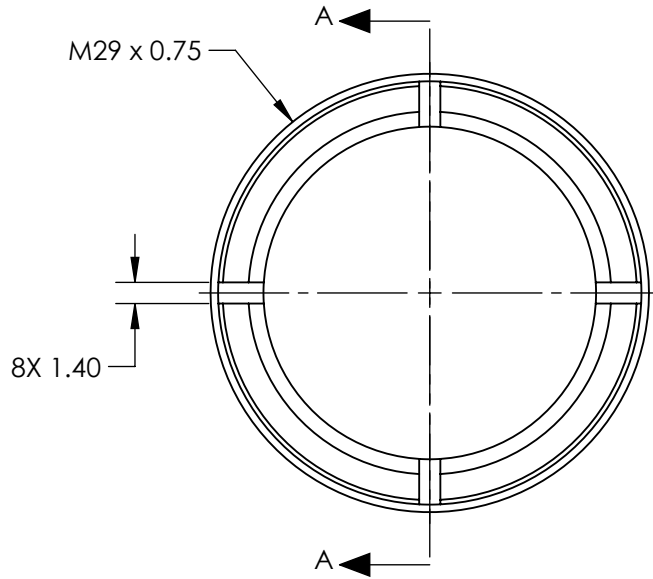
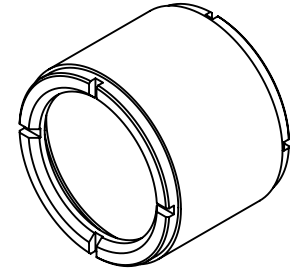


NOTES:

- 1. MATERIAL: BLACK MATTE ANODIZED ALUMINUM
- 2. RoHS: COMPLIANT



SECTION A-A

SPECIFICATIONS SUBJECT TO CHANGE WITHOUT NOTICE
DIMENSIONS ARE FOR REFERENCE ONLY



**FOR INFORMATION ONLY:
DO NOT MANUFACTURE
PARTS TO THIS DRAWING**

THIRD ANGLE PROJECTION		TITLE	M29 TUBE 25L	
ALL DIMS IN	mm	DWG NO	38758	SHEET 1 OF 1