

NOTES:

1. SUBSTRATE:  
Fused Silica
2. COATING (APPLY ACROSS COATING APERTURE)

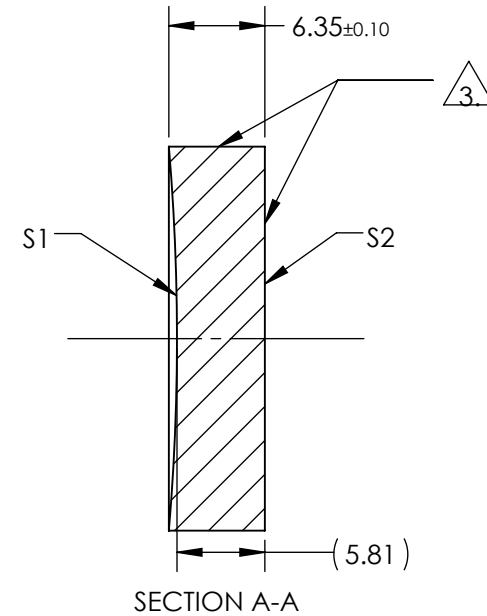
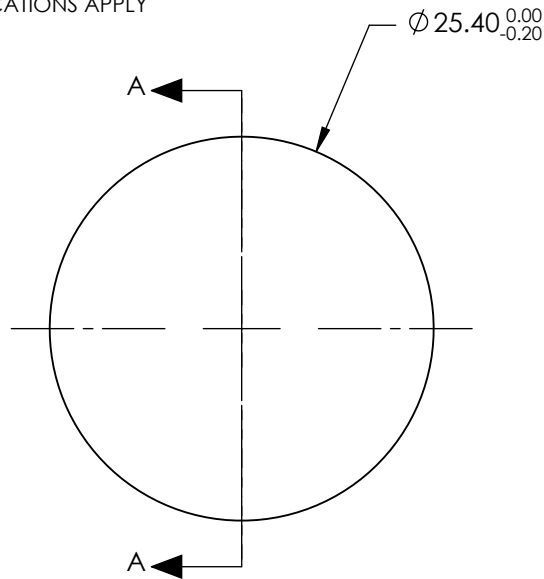
S1: Laser Mirror (355nm)  
R(ABS) >99.80% @ 355nm @ 0-45° AOI

DAMAGE THRESHOLD,  
PULSED: 5 J/cm<sup>2</sup> @ 355 nm, 20ns, 20Hz

S2: NONE

3. FINE GRIND SURFACE

4. POWER, IRREGULARITY, AND SURFACE QUALITY SPECIFICATIONS APPLY ACROSS CLEAR APERTURE
5. ROHS: COMPLIANT



**FOR INFORMATION ONLY:  
DO NOT MANUFACTURE  
PARTS TO THIS DRAWING**

	S1	S2
SHAPE	CONCAVE	PLANO
RADIUS	150.00	INFINITY
SURFACE QUALITY	20-10	N/A
CLEAR APERTURE	$\phi 22.86$	N/A
COATING APERTURE	$\phi 22.86$	N/A
POWER AT 632.8nm	2 RINGS	N/A
IRREGULARITY AT 632.8nm	0.10 WAVE	N/A
BEVEL	PROTECTIVE AS NEEDED	PROTECTIVE AS NEEDED

SPECIFICATIONS SUBJECT TO CHANGE WITHOUT NOTICE  
DIMENSIONS ARE FOR REFERENCE ONLY

**EO**® Edmund Optics®

THIRD ANGLE PROJECTION	TITLE	25.4mm Dia. x 75mm EFL, 355nm 0-45°, Concave Laser Line Mirror	
ALL DIMS IN	DWG NO	39956	SHEET 1 OF 1