

NOTES:

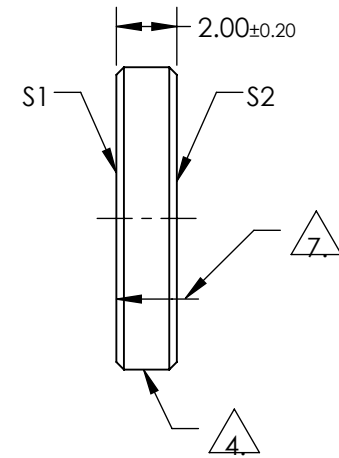
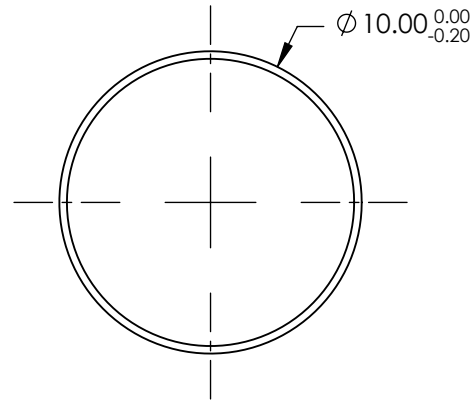
1. SUBSTRATE:  
ZERODUR
2. S2 TO BE PARALLEL TO S1 TO WITHIN <30 ARCSEC
3. COATING (APPLY ACROSS COATING APERTURE)  
S1: ENHANCED ALUMINUM  
R(AVG) > 95% FROM 450-650nm @ 0° AOI  
  
S2: NONE

4. FINE GROUND SURFACE

5. CLEAR APERTURE AND COATING APERTURE ARE CENTERED ON SURFACE
6. SURFACE QUALITY SPECIFICATIONS APPLY ACROSS CLEAR APERTURE

7. ARROW ON EDGE POINTS TOWARDS 1/10TH WAVE SURFACE S1

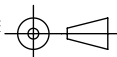
8. ROHS: COMPLIANT



**FOR INFORMATION ONLY:  
DO NOT MANUFACTURE  
PARTS TO THIS DRAWING**

SPECIFICATIONS SUBJECT TO CHANGE WITHOUT NOTICE  
DIMENSIONS ARE FOR REFERENCE ONLY

	S1	S2
SHAPE	PLANO	PLANO
SURFACE QUALITY	20-10	COMMERCIAL POLISH
SURFACE FLATNESS	0.10 WAVE	N/A
CLEAR APERTURE	Ø9.00	N/A
COATING APERTURE	Ø9.60	N/A
BEVEL	PROTECTIVE AS NEEDED	PROTECTIVE AS NEEDED

THIRD ANGLE PROJECTION 

ALL DIMS IN mm

 **Edmund Optics®**

TITLE: MIRROR 1/10 WV ZDUR EN AI 10 DIA

DWG NO: 39846

SHEET 1 OF 1