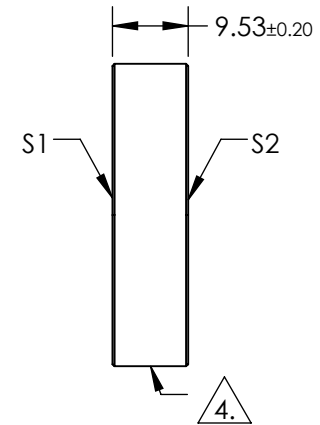
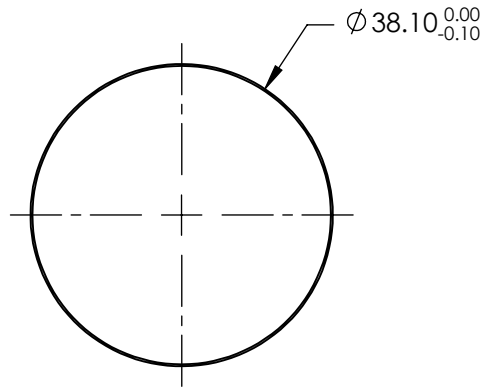


NOTES:

1. SUBSTRATE:
N-BK7
2. S2 TO BE PARALLEL TO S1 TO WITHIN <3 ARCMINS
3. COATING (APPLY ACROSS COATING APERTURE)
S1: NONE
S2: NONE

4. FINE GROUND SURFACE

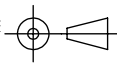
5. CLEAR APERTURE AND COATING APERTURE ARE CENTERED ON SURFACE
6. POWER, IRREGULARITY, AND SURFACE QUALITY SPECIFICATIONS APPLY ACROSS CLEAR APERTURE
7. ROHS COMPLIANT



**FOR INFORMATION ONLY:
DO NOT MANUFACTURE
PARTS TO THIS DRAWING**

SPECIFICATIONS SUBJECT TO CHANGE WITHOUT NOTICE
DIMENSIONS ARE FOR REFERENCE ONLY

	S1	S2
SHAPE	PLANO	PLANO
SURFACE QUALITY	10-5	10-5
SURFACE FLATNESS	$\lambda / 10$	$\lambda / 10$
MIN CLEAR APERTURE	Ø34.29	Ø34.29
BEVEL	PROTECTIVE AS NEEDED	PROTECTIVE AS NEEDED

THIRD ANGLE PROJECTION 

ALL DIMS IN mm

 **Edmund Optics®**

TITLE	Ø38.1mm UNCTD N-BK7 LASER WINDOW SUBSTRATE	
DWG NO	38058	SHEET 1 OF 1