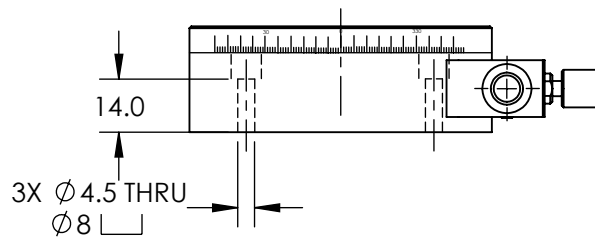
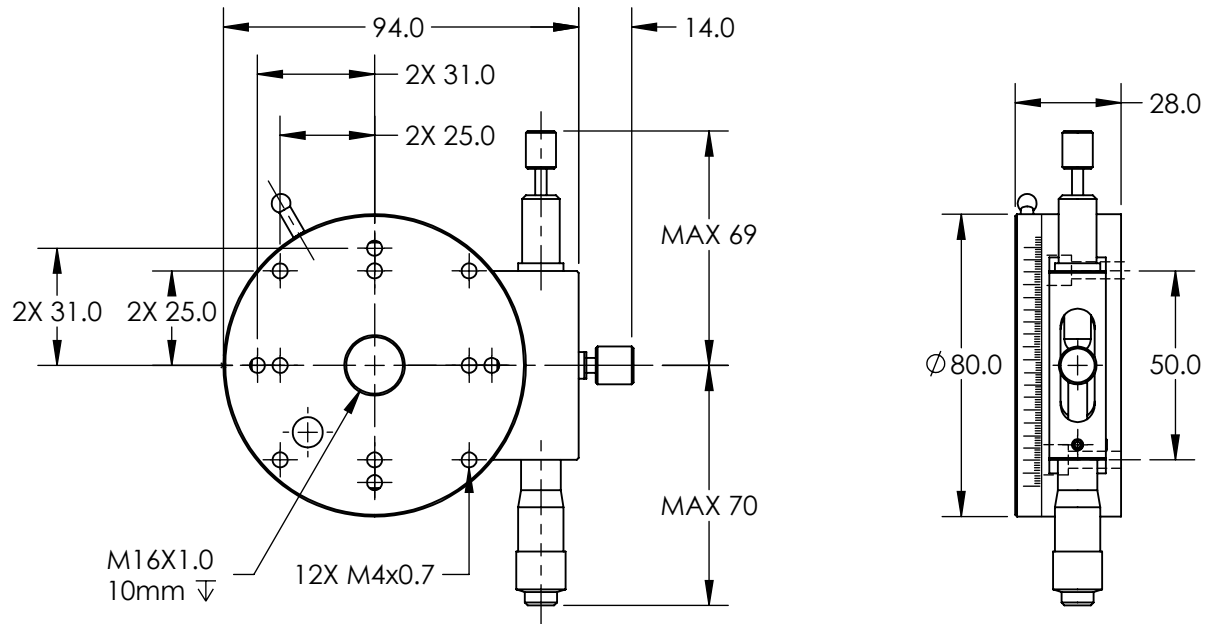


NOTES:

1. TRAVEL: COARSE ROTATION 360° / FINE ROTATION ± 5°
2. INCLUDES ONE PACKAGE OF (3) M4x20mm LONG, FLAT POINT SET SCREWS FOR LOCKING



SPECIFICATIONS SUBJECT TO CHANGE WITHOUT NOTICE
DIMENSIONS ARE FOR REFERENCE ONLY

**FOR INFORMATION ONLY:
DO NOT MANUFACTURE
PARTS TO THIS DRAWING**

EO® Edmund Optics®

THIRD ANGLE PROJECTION		TITLE	80MM DIA METRIC ROTARY STAGE	
ALL DIMS IN	mm	DWG NO	62294	SHEET 1 OF 1