

NOTES:

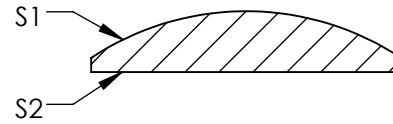
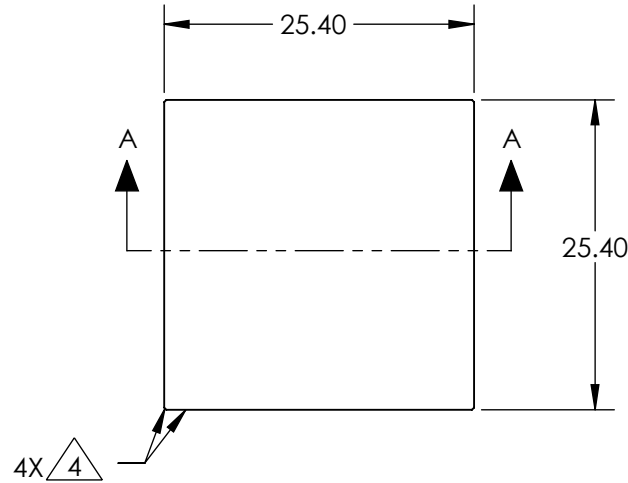
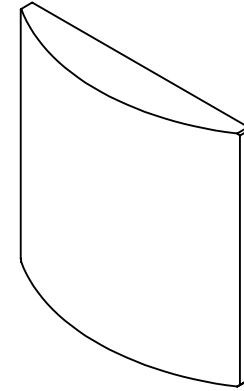
1. SUBSTRATE MATERIAL:
FUSED SILICA
2. CENTERING TOLERANCE (AT 587.6nm):
PLANO AXIS WEDGE: < 3 ARCMIN
POWER ASIX WEDGE: < 3 ARCMIN
AXIAL TWIST: < 3 ARCMIN
3. COATING (APPLY ACROSS CLEAR APERTURE)

S1: NONE
S2: NONE

4. FINE GROUND SURFACE

5. POWER, IRREGULARITY, AND SURFACE QUALITY SPECIFICAIONS APPLY ACROSS CLEAR APERTURE

6. ROHS COMPLIANT



SECTION A-A

**FOR INFORMATION ONLY:
DO NOT MANUFACTURE
PARTS TO THIS DRAWING**

SPECIFICATIONS SUBJECT TO CHANGE WITHOUT NOTICE
DIMENSIONS ARE FOR REFERENCE ONLY

	S1	S2
SHAPE	CONVEX	PLANO
SURFACE QUALITY	20 - 10	20 - 10
CLEAR APERTURE	24.40 x 24.40	24.40 x 24.40
BEVEL	PROTECTED AS NEEDED	PROTECTED AS NEEDED



ALL DIMS IN

mm

EO® Edmund Optics®

TITLE

LENS CYL SHAPING 25.4mm SQ x 50mm
UNCTD

DWG NO

36090

SHEET
1 OF 1