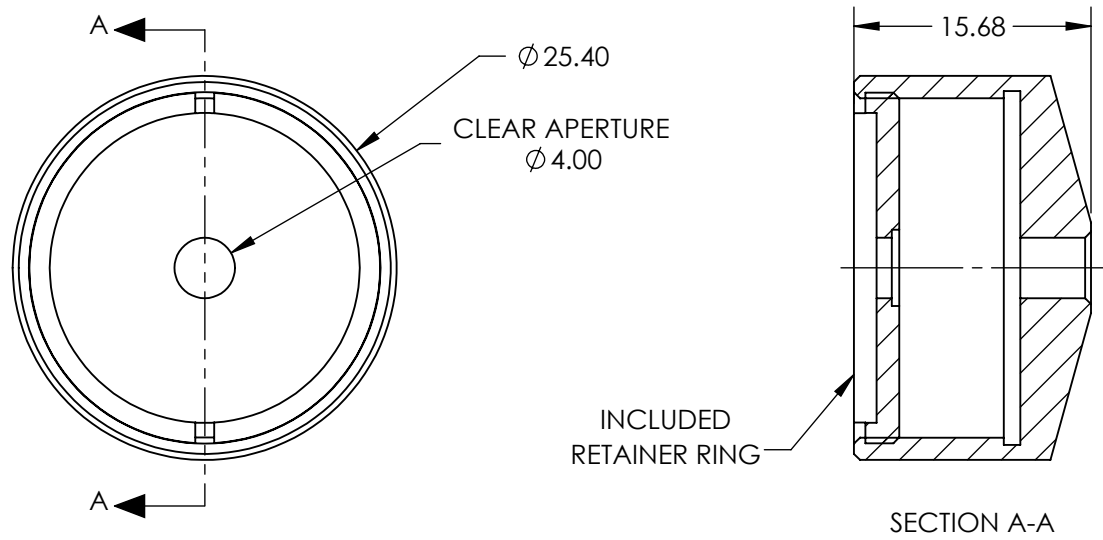
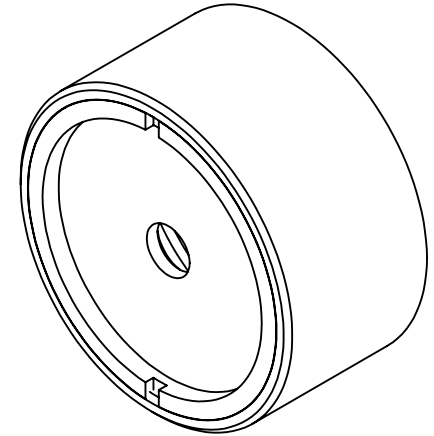


NOTES:

- 1. MATERIAL:
Black Anodized Aluminum



**FOR INFORMATION ONLY:
DO NOT MANUFACTURE
PARTS TO THIS DRAWING**

SPECIFICATIONS SUBJECT TO CHANGE WITHOUT NOTICE
DIMENSIONS ARE FOR REFERENCE ONLY



THIRD ANGLE PROJECTION		TITLE	5mm Optic Adapter	
ALL DIMS IN	mm	DWG NO	36435	SHEET 1 OF 1