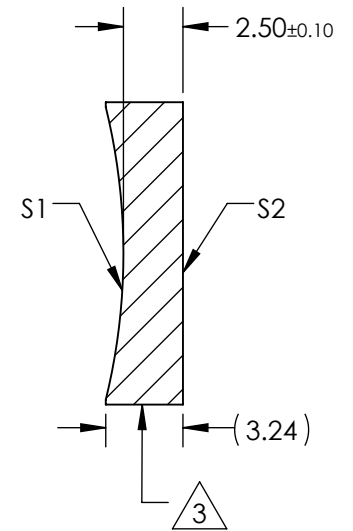
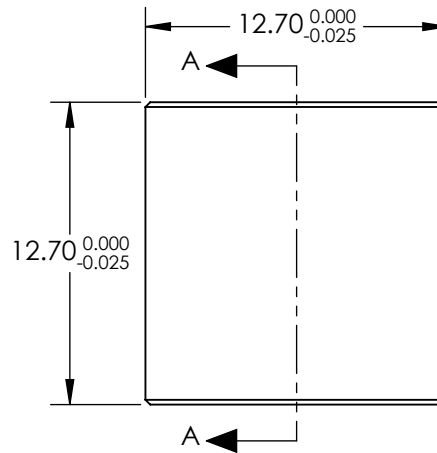


NOTES:

1. SUBSTRATE MATERIAL:
N-BK7
2. COATING (APPLY ACROSS CLEAR APERTURE)
S1 & S2:
NIR I
R(AVG) ≤ 0.5% FROM 600-1050nm @ 0° AOI
3. FINE GROUND SURFACE
4. POWER, IRREGULARITY, AND SURFACE QUALITY SPECIFICATIONS APPLY ACROSS CLEAR APERTURE
5. FOCAL LENGTH TOLERANCE: ±1%
6. PLANO AXIS WEDGE TOLERANCE: < 5 ARCMIN
POWER AXIS WEDGE TOLERANCE: < 5 ARCMIN
AXIAL TWIST ANGLE: < 3 ARCMIN
7. RoHS COMPLIANT


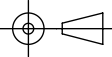


SECTION A-A

**FOR INFORMATION ONLY:
DO NOT MANUFACTURE
PARTS TO THIS DRAWING**

REV. A	S1	S2
SHAPE	CONCAVE	PLANO
RADIUS	25.84	∞
SURFACE QUALITY	40 - 20	40 - 20
CLEAR APERTURE	11.43 x 11.43	11.43 x 11.43
COATING APERTURE	11.43 x 11.43	11.43 x 11.43
POWER AT 632.8nm	1.5 WAVES PV	1.5 WAVES PV
IRREGULARITY AT 632.8nm	0.25 WAVE PV	0.25 WAVE PV
BEVEL	PROTECTIVE AS NEEDED	PROTECTIVE AS NEEDED

SPECIFICATIONS SUBJECT TO CHANGE WITHOUT NOTICE
DIMENSIONS ARE FOR REFERENCE ONLY

EFL	-50mm	 Edmund Optics®		
BFL	-51.65mm			
THIRD ANGLE PROJECTION		TITLE	LENS CYL SHAPING 12.7 x 12.7mm X -50mm FL NIR I	
ALL DIMS IN	mm	DWG NO	35005	SHEET 1 OF 1