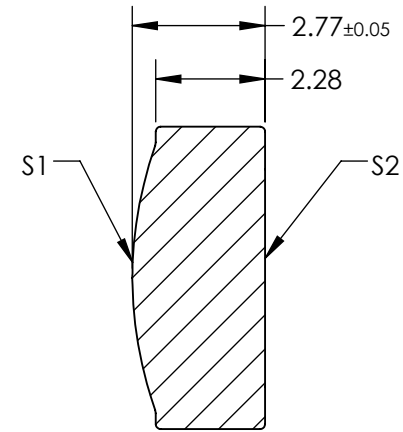
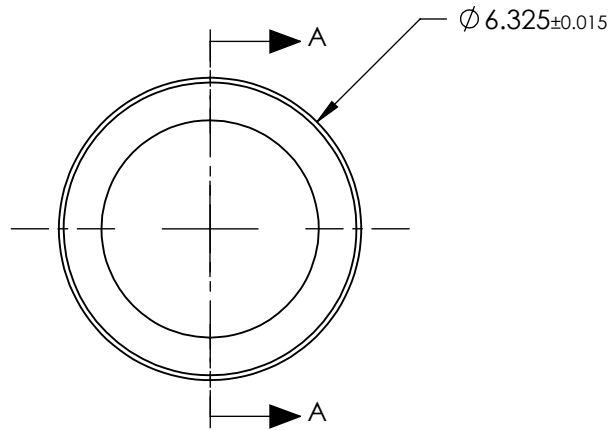


NOTES:


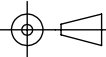
1. SUBSTRATE:
ECO 550
2. NUMERICAL APERTURE: 0.18
3. COATING
S1 & S2: R(AVG) < 1.0% @ 600 - 1050nm
4. FOCAL LENGTH TOLERANCE: ±1%
5. TRANSMITTED WAVEFRONT ERROR (λ , RMS): < 0.070



SECTION A-A

**FOR INFORMATION ONLY:
DO NOT MANUFACTURE
PARTS TO THIS DRAWING**

SPECIFICATIONS SUBJECT TO CHANGE WITHOUT NOTICE DIMENSIONS ARE FOR REFERENCE ONLY

	S1	S2	EFL	13.86	 Edmund Optics®
			BFL	12.11	
SHAPE	CONVEX	PLANO	THIRD ANGLE PROJECTION 	TITLE	0.18 NA 13.86mm FL IR AR COATED, MOLDED ASPHERIC LENS
SURFACE QUALITY	40-20	40-20		DWG NO	48160
CLEAR APERTURE	Ø5.10	Ø5.10	ALL DIMS IN	mm	
BEVEL MAX	PROTECTIVE AS NEEDED	PROTECTIVE AS NEEDED			