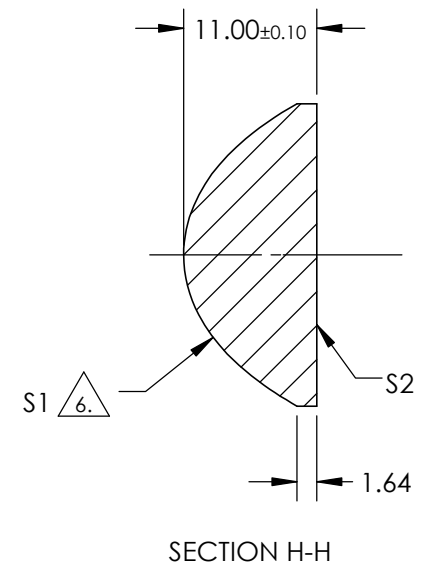
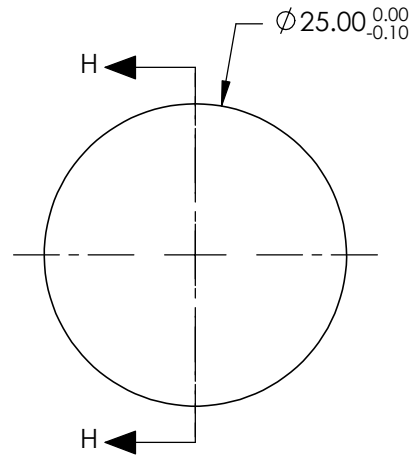


NOTES:

1. SUBSTRATE: N-SF5
2. COATING (APPLY ACROSS CLEAR APERTURE)
 S1: R(avg) ≤1.5% @ 600 - 1050nm
 S2: R(avg) ≤1.5% @ 600 - 1050nm
3. EDGES: FINE GROUND
4. CENTERING: <3-5 ARCMIN
5. ASPHERE FIGURE ERROR: 0.75 μm RMS

△ ASPHERIC SURFACE DESCRIBED BY (REF. COEFFICIENT TABLE)

$$Z_{ASPH}(Y) = \frac{(\frac{1}{RADIUS}) * Y^2}{1 + \sqrt{1 - (1+k) * (\frac{1}{RADIUS})^2 * Y^2}} + D * Y^2 + E * Y^4 + F * Y^6 + G * Y^8 + H * Y^{10} + J * Y^{12} + L * Y^{14}$$



COEFFICIENT TABLE △7	
COEFFICIENT	S1
k	-7.166466E-01
D	0.000000E+00
E	2.407263E-05
F	2.833095E-08
G	9.447127E-11
H	-2.456638E-12
J	0.000000E+00
L	0.000000E+00

**FOR INFORMATION ONLY:
DO NOT MANUFACTURE
PARTS TO THIS DRAWING**

SPECIFICATIONS SUBJECT TO CHANGE WITHOUT NOTICE DIMENSIONS ARE FOR REFERENCE ONLY

REV. A	S1	S2	EFL @ 587.6μm	15	Edmund Optics®		
SHAPE	CONVEX	PLANO	BFL @ 587.6μm	8.42	25mm DIA., 0.83 NUMERICAL APERTURE NIR COATED, ASPHERIC LENS		
RADIUS	10.091	INFINITY	THIRD ANGLE PROJECTION				
SURFACE QUALITY	60-40	60-40	ALL DIMS IN mm		DWG NO	67259	
CLEAR APERTURE	90%	90%					SHEET 1 OF 1
BEVEL MAX	PROTECTIVE AS NEEDED	PROTECTIVE AS NEEDED					