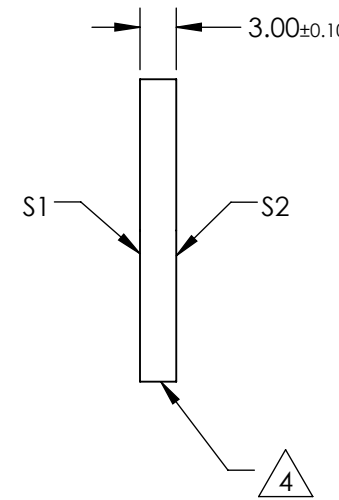
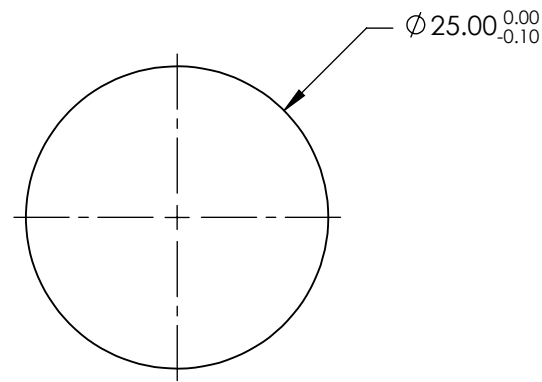
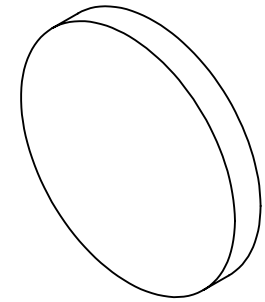


NOTES:

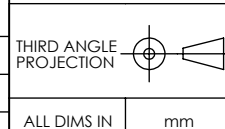
1. SUBSTRATE:
EXCIMER GRADE UV FUSED SILICA
2. SURFACE S2 TO BE PARALLEL WITH S1 TO 5 arcsec
3. COATING (APPLY ACROSS CLEAR APERTURE)
S1 & S2: R(ABS) < 0.25% @ 1064nm, AOI: 0°
4. FINE GRIND SURFACE
5. RoHS COMPLIANT



**FOR INFORMATION ONLY:
DO NOT MANUFACTURE
PARTS TO THIS DRAWING**

SPECIFICATIONS SUBJECT TO CHANGE WITHOUT NOTICE
DIMENSIONS ARE FOR REFERENCE ONLY

	S1	S2
SHAPE	PLANO	PLANO
SURFACE QUALITY	10 - 5	10 - 5
DESIGN WAVELENGTH	1064nm	1064nm
BEVEL	PROTECTIVE AS NEEDED	PROTECTIVE AS NEEDED



EO® Edmund Optics®

TITLE	25mm DIA. 1064nm LASER V-COAT, λ/20 FUSED SILICA WINDOW		
DWG NO	48211	SHEET	1 OF 1