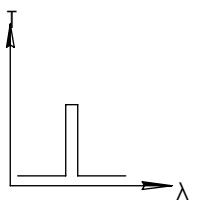
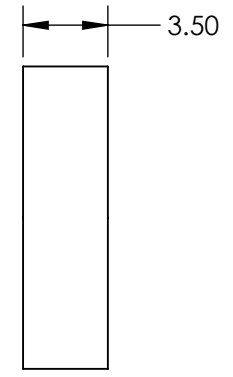
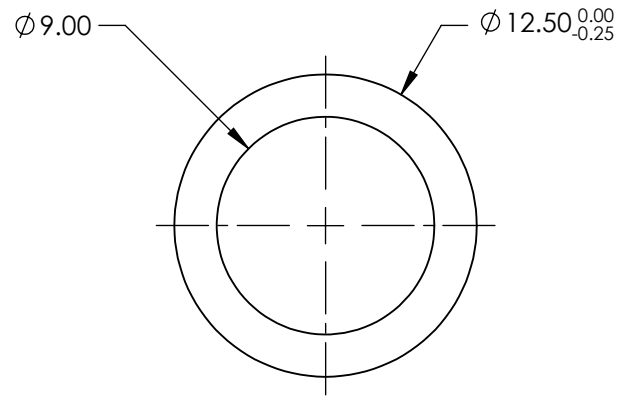
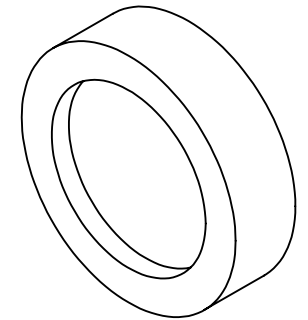


**FOR INFORMATION ONLY:
DO NOT MANUFACTURE
PARTS TO THIS DRAWING**



BANDPASS FILTER

	VALUE
OPTICAL DENSITY	≥ 4.0
CENTER WAVELENGTH (CWL)	$265 +3.0/-0.0$ nm
FULL WIDTH HALF MAX (FWHM)	10 ± 2 nm
MINIMUM TRANSMISSION	$>12\%$
BLOCKING	200 - 10000nm
SURFACE QUALITY	80-50
CONSTRUCTION	MOUNTED IN BLACK ANODIZED RING
COATING TYPE	TRADITIONAL COATED

SPECIFICATIONS SUBJECT TO CHANGE WITHOUT NOTICE
DIMENSIONS ARE FOR REFERENCE ONLY



THIRD ANGLE PROJECTION		TITLE	$\phi 12.5$ mm, 265nm x 10nm, MOUNTED BANDPASS FILTER	
ALL DIMS IN	mm	DWG NO	67744	SHEET 1 OF 1