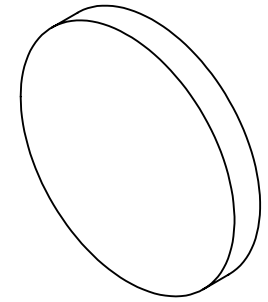


NOTES:

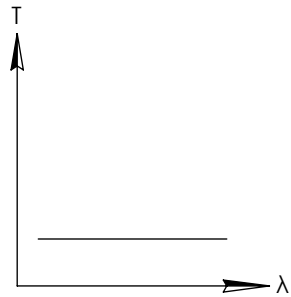
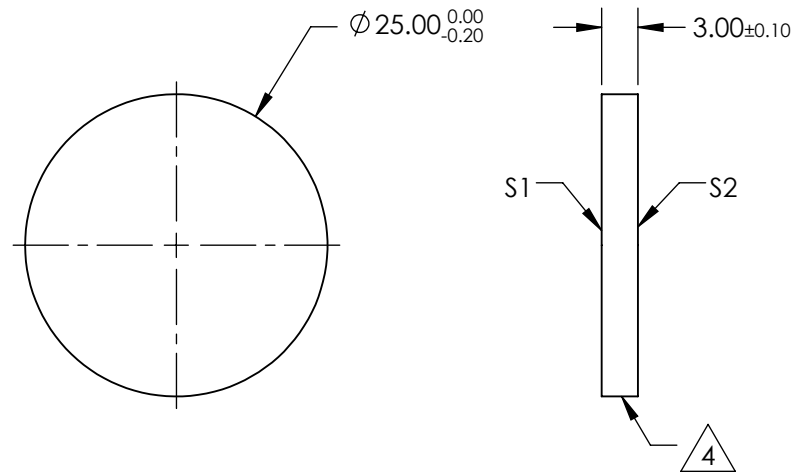
**FOR INFORMATION ONLY:
DO NOT MANUFACTURE
PARTS TO THIS DRAWING**



1. SUBSTRATE
2. SURFACE S2 TO BE PARALLEL WITH SURFACE S1 TO WITHIN 5 arcsec
3. COATING (APPLY ACROSS COATING APERTURE)
OPTICAL DENSITY = $3 \pm 10\%$ FROM 250 - 700
S1: PROPRIETARY N.D.
S2: NONE

4. FINE GRIND SURFACE

5. POWER, IRREGULARITY, AND SURFACE QUALITY SPECIFICATIONS
APPLY ACROSS CLEAR APERTURE
6. TRANSMITTED WAVEFRONT DISTORTION P-V @ 632.8nm: $\leq \lambda/4$
7. ROHS COMPLIANT



UV-VIS NEUTRAL DENSITY FILTER

SPECIFICATIONS SUBJECT TO CHANGE WITHOUT NOTICE
DIMENSIONS ARE FOR REFERENCE ONLY

| | S1 | S2 |
|------------------|----------------------|----------------------|
| SHAPE | PLANO | PLANO |
| SURFACE QUALITY | 40-20 | 40-20 |
| CLEAR APERTURE | $\varnothing 20$ | $\varnothing 20$ |
| COATING APERTURE | $\varnothing 20$ | $\varnothing 20$ |
| BEVEL | PROTECTIVE AS NEEDED | PROTECTIVE AS NEEDED |



ALL DIMS IN

mm

Edmund Optics®

TITLE

OD 3, $\varnothing 25$ mm, UV-VIS ND FILTER

DWG NO

47212

SHEET
1 OF 1