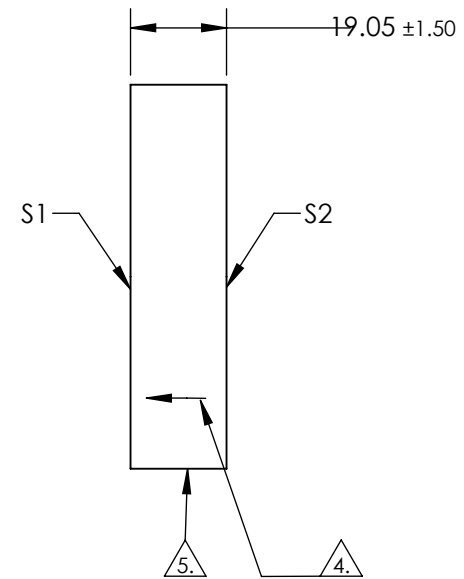
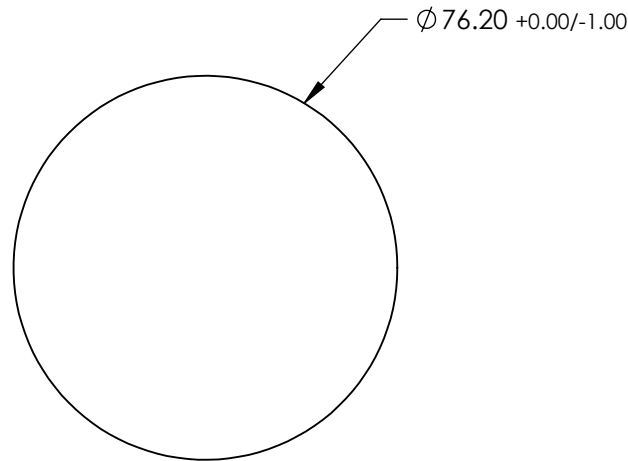


NOTES:

1. SUBSTRATE:  
ZERODUR®
2. SURFACE S2 TO BE PARALLEL WITH SURFACE S1 TO  $\leq 3$  ARCMIN
3. COATING (APPLY ACROSS CLEAR APERTURE)  
S1: NONE  
  
S2: NONE

4.  ARROW ON EDGE POINTING TOWARDS SURFACE S1

5.  FINE GRIND SURFACE



**FOR INFORMATION ONLY; DO NOT MANUFACTURE PARTS TO THIS DRAWING**

SPECIFICATIONS SUBJECT TO CHANGE WITHOUT NOTICE  
DIMENSIONS ARE FOR REFERENCE ONLY

	S1	S2
SHAPE	PLANO	PLANO
SURFACE ACCURACY AT 632.8nm	$\lambda/20$	N/A
SURFACE QUALITY	60-40	COMMERCIAL POLISH
CLEAR APERTURE	$\phi 68.60$	$\phi 68.60$
BEVEL	PROTECTED AS NEEDED	PROTECTED AS NEEDED

THIRD ANGLE PROJECTION 

ALL DIMS IN

mm

 **Edmund Optics®**

TITLE

76.2mm Dia.  $\lambda/20$  ZERODUR® Optical Flat

DWG NO

48117000

SHEET  
1 OF 1